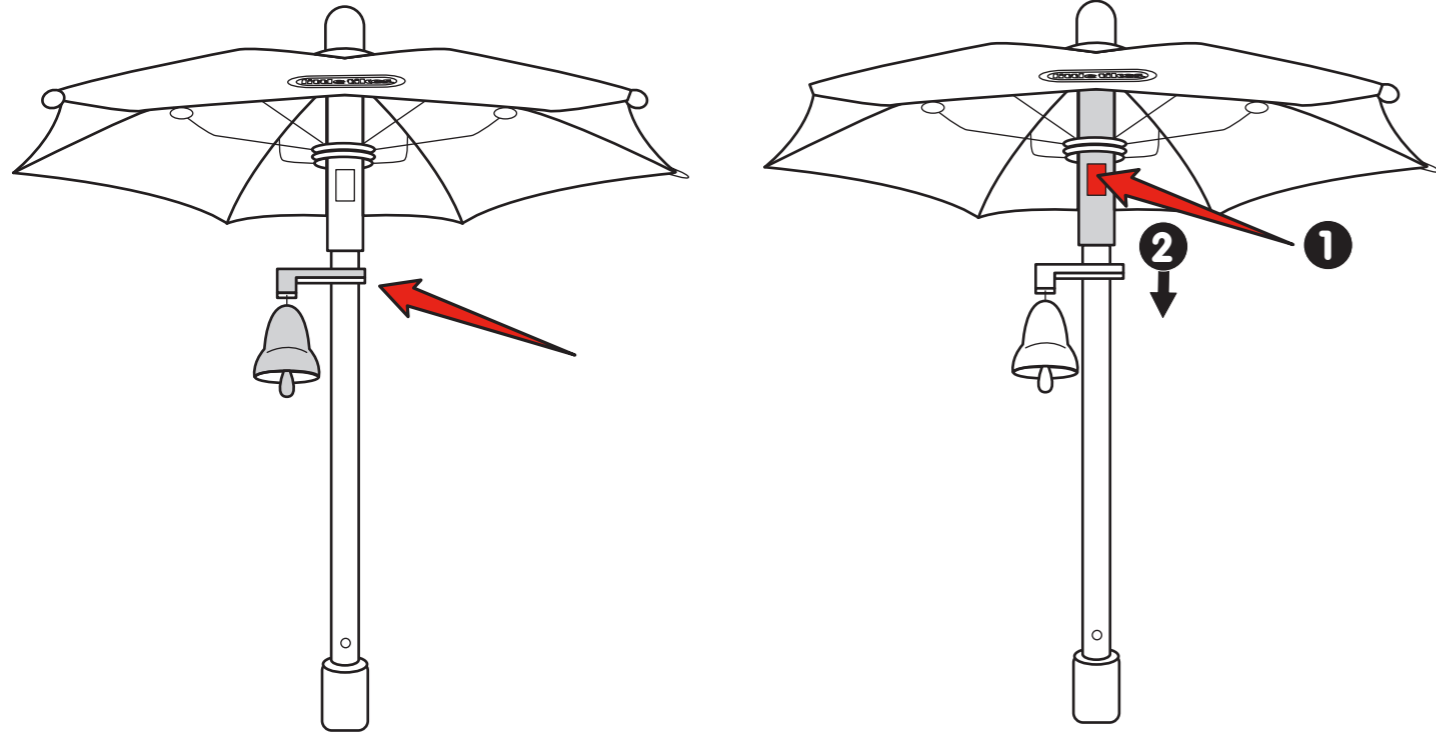


9 Sell and Share

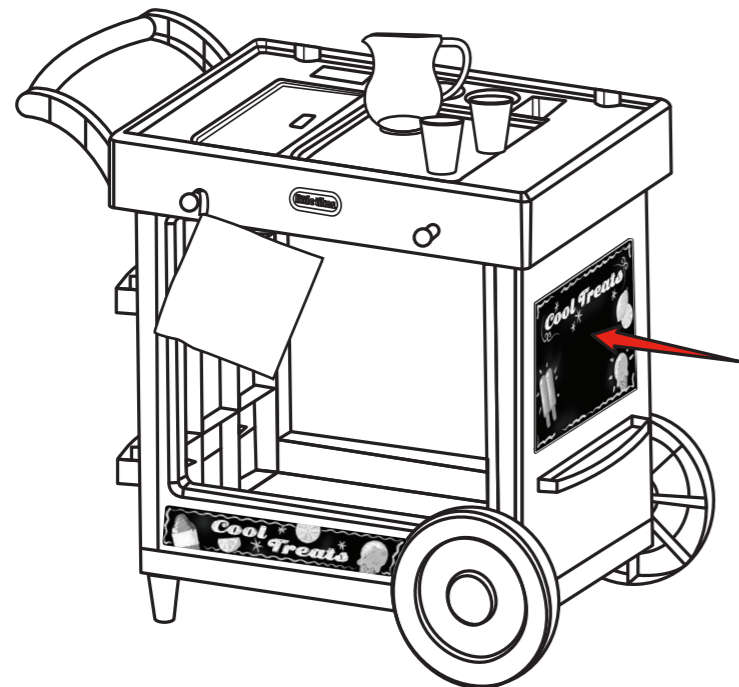
Snap the Bell onto the umbrella.
Ring the bell to let customers know
you're on the way!

To close the Umbrella:
1. Push the button on the runner.
2. Pull it down.



10 Make it Your Own!

Let your customers know what is available! Feature your options by using the compartments and slots on the Cart Top (D). Use the included Chalk to write on the chalk board on the Side Wall - Right (C). Remove chalk with a damp cloth and wipe dry to use again and again!



YOUR
MESSAGE
HERE!



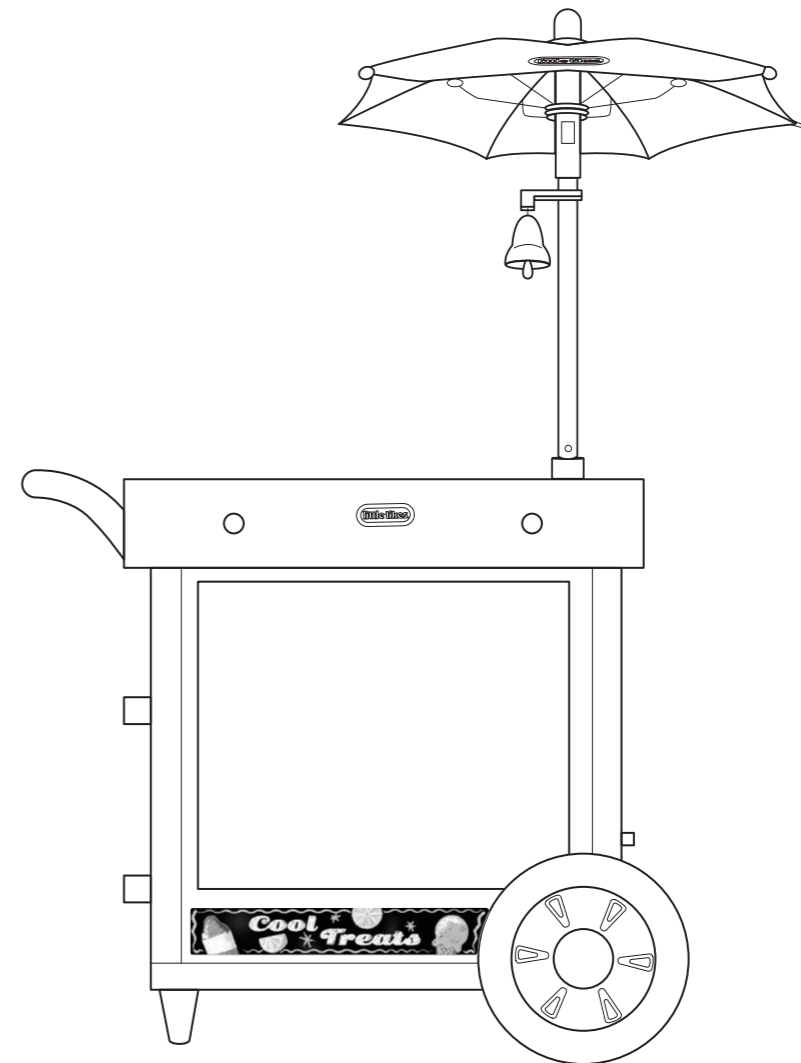
2-in-1 Lemonade & Ice Cream STAND



SKU: 656132

ADULT ASSEMBLY REQUIRED

ASSEMBLY INSTRUCTIONS



Thank you for choosing the Little Tikes® 2-in-1 Lemonade & Ice Cream Stand.

We strive to provide a durable, easy-to-assemble toy that is made to last,
giving your child years of imaginative, engaging fun!

IMPORTANT INFORMATION YOU SHOULD KNOW!

- Read through all the instructions first.
- Clear a flat surface to lay out all the materials so that everything is close at hand.
- Illustrations are for reference only. Styles may vary from actual contents.
- Please remove all packaging including tags, ties & tacking stitches before giving this product to a child.
- **Make sure you have all contents before assembling. If anything is missing or if you have questions, we're here to help. Give our consumer service team a call at 1-800-321-0183.**

Let's be careful!

! WARNING!

- ADULT ASSEMBLY REQUIRED.
- Please keep this manual as it contains important information.
- This product is intended for indoor and outdoor family use only.
- This product is intended for use by children ages 2 years and up.
- Do not allow children to sit, stand, play or climb on the top surface. Failure to do so may cause the product to become unstable.
- Thoroughly wash all accessories before contact with food or beverages.
- Included accessories are for pretend play only. Lemonade pitcher does not hold liquid.
- Food and beverage items are not edible.
- To better clean the product, use a cloth with mild soap and water or skin, hand, or face wipes.

© The Little Tikes Company, an MGA Entertainment company. LITTLE TIKES® is a trademark of Little Tikes in the U.S. and other countries. All logos, names, characters, likenesses, images, slogans, and packaging appearance are the property of Little Tikes.

Printed in China • 1020-1-E/INT

CONSUMER SERVICE

Little Tikes Consumer Service
www.littletikes.com
 2180 Barlow Road
 Hudson, Ohio 44236 U.S.A.
 Email: service@littletikescares.com
 1-800-321-0183 Monday-Friday

MGA Entertainment UK Ltd.
www.littletikes.co.uk
 50 Presley Way, Crownhill, Milton
 Keynes, MK8 0ES, Bucks, UK
support@LittleTikesStore.co.uk
 Tel: +0 800 521 558

MGA Entertainment (Netherlands) B.V.
 Baronie 68-70
 2404 XG Alphen a/d Rijn
 The Netherlands
 Tel: +31 (0) 172 758038
 Email: klantenservice@mgaee.com

Imported by MGA Entertainment Australia Pty Ltd
www.littletikes.com.au
 Suite 2.02, 32 Delhi Road
 Macquarie Park NSW 2113
 1300 059 676



LIMITED WARRANTY

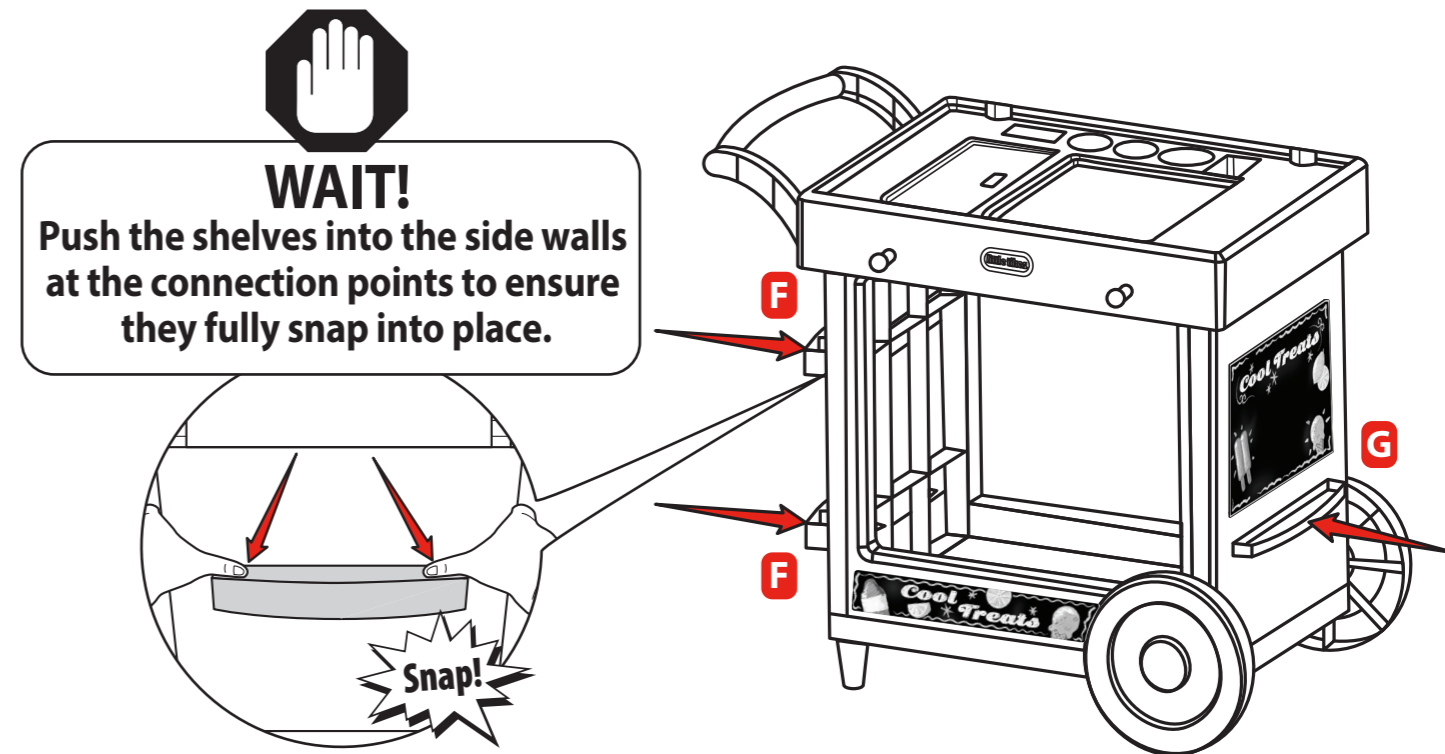
The Little Tikes Company makes fun, high quality toys. We warrant to the original purchaser that this product is free of defects in materials or workmanship for one year * from the date of purchase (dated sales receipt is required for proof of purchase). At the sole election of The Little Tikes Company, the only remedies available under this warranty will be the replacement of the defective part or replacement of the product. This warranty is valid only if the product has been assembled and maintained per the instructions. This warranty does not cover abuse, accident, cosmetic issues such as fading or scratches from normal wear, or any other cause not arising from defects in material and workmanship. *The warranty period is three (3) months for daycare or commercial purchasers.

U.S.A and Canada: For warranty service or replacement part information, please visit our website at www.littletikes.com, call 1-800-321-0183 or write to: Consumer Service, The Little Tikes Company, 2180 Barlow Road, Hudson OH 44236, U.S.A. Some replacement parts may be available for purchase after warranty expires—contact us for details.

Outside U.S.A and Canada: Contact place of purchase for warranty service. This warranty gives you specific legal rights, and you may also have other rights, which vary from country/state to country/state. Some countries/states do not allow the exclusion or limitation of incidental or consequential damages, so the above limitation or exclusion may not apply to you.

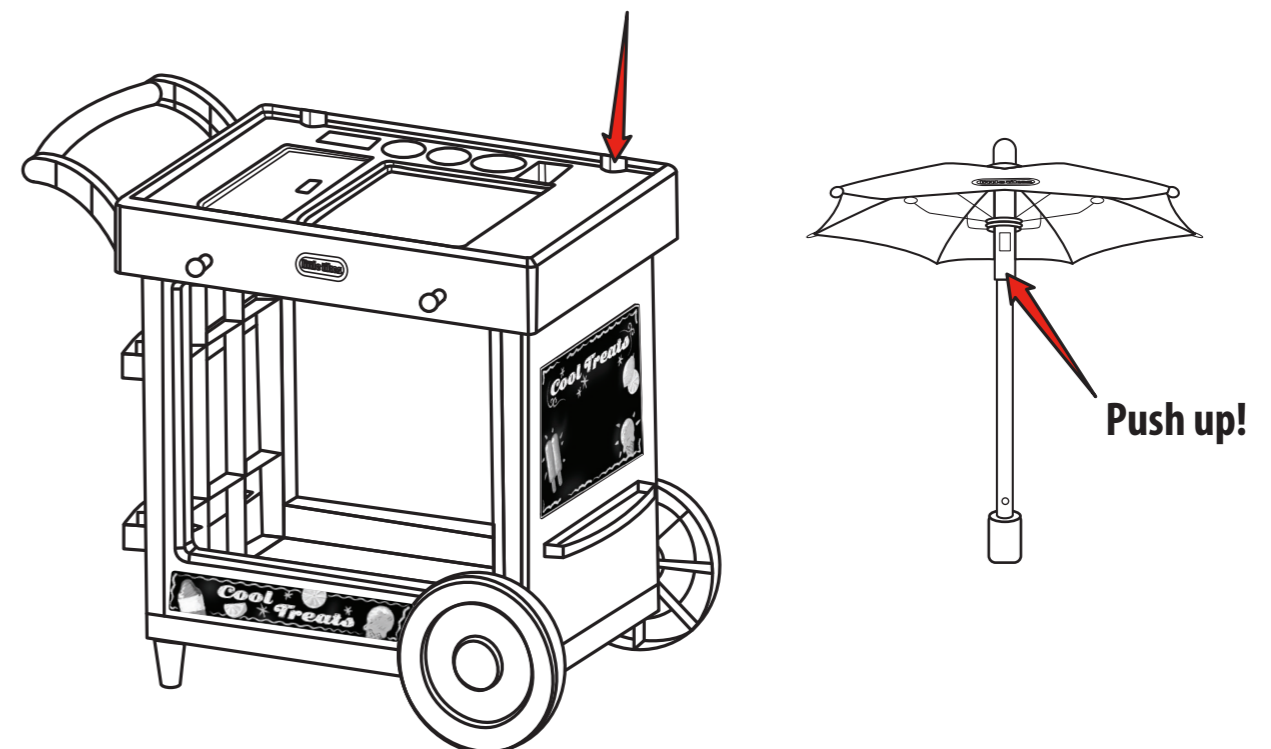
7 Add Shelves

Stand the cart upright. Snap two Left Shelves (F) onto the Side Wall - Left (B). Snap one Right Shelf (G) to the Side Wall - Right (C).



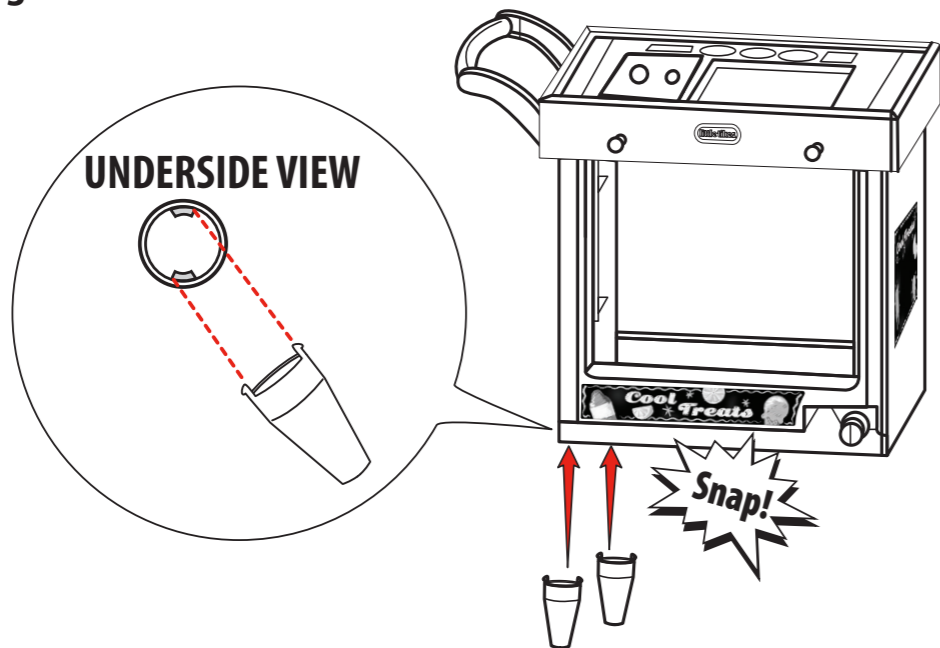
8 Prepare for Sunshine

Push up on the Umbrella Runner to open the Umbrella. Insert the Umbrella into the opening on the Cart Top (D).



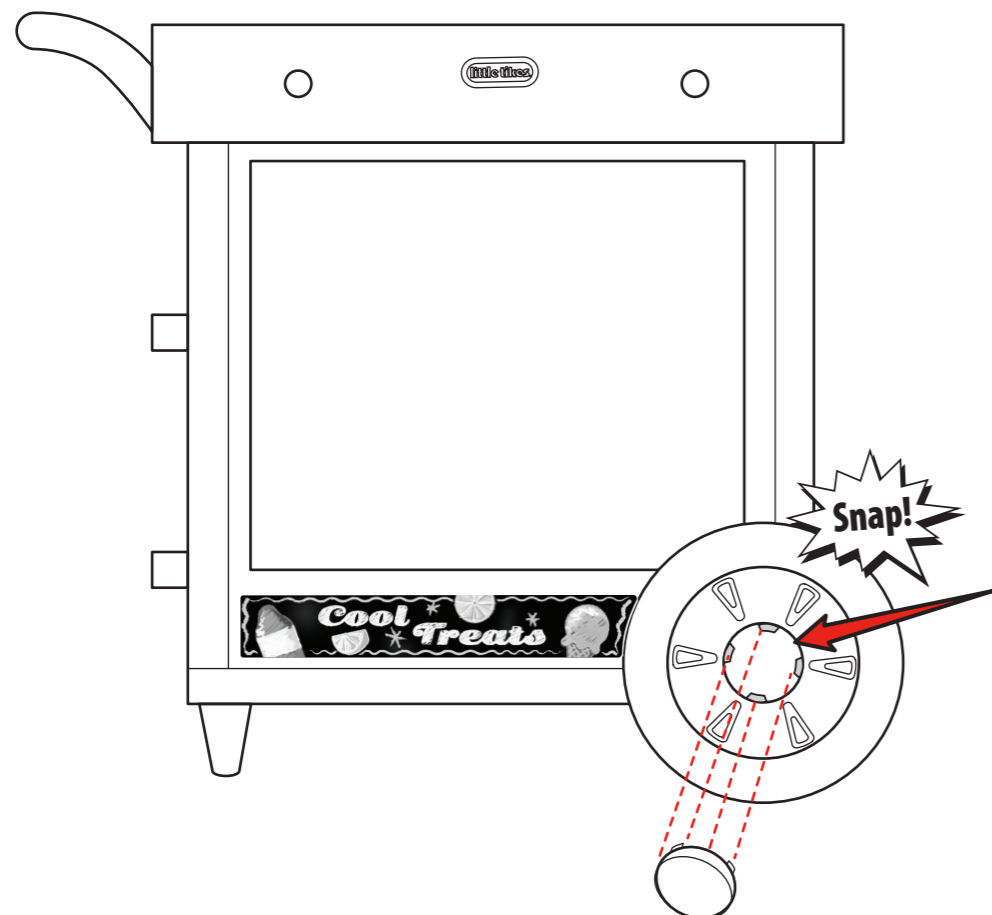
5 Attach Legs

Turn the cart on its side. Snap two Leg Stands (J) into the openings under the Bottom Platform (A). Ensure the tabs on the Leg Stands snap into the openings under the Bottom Platform.



6 Ready to Roll

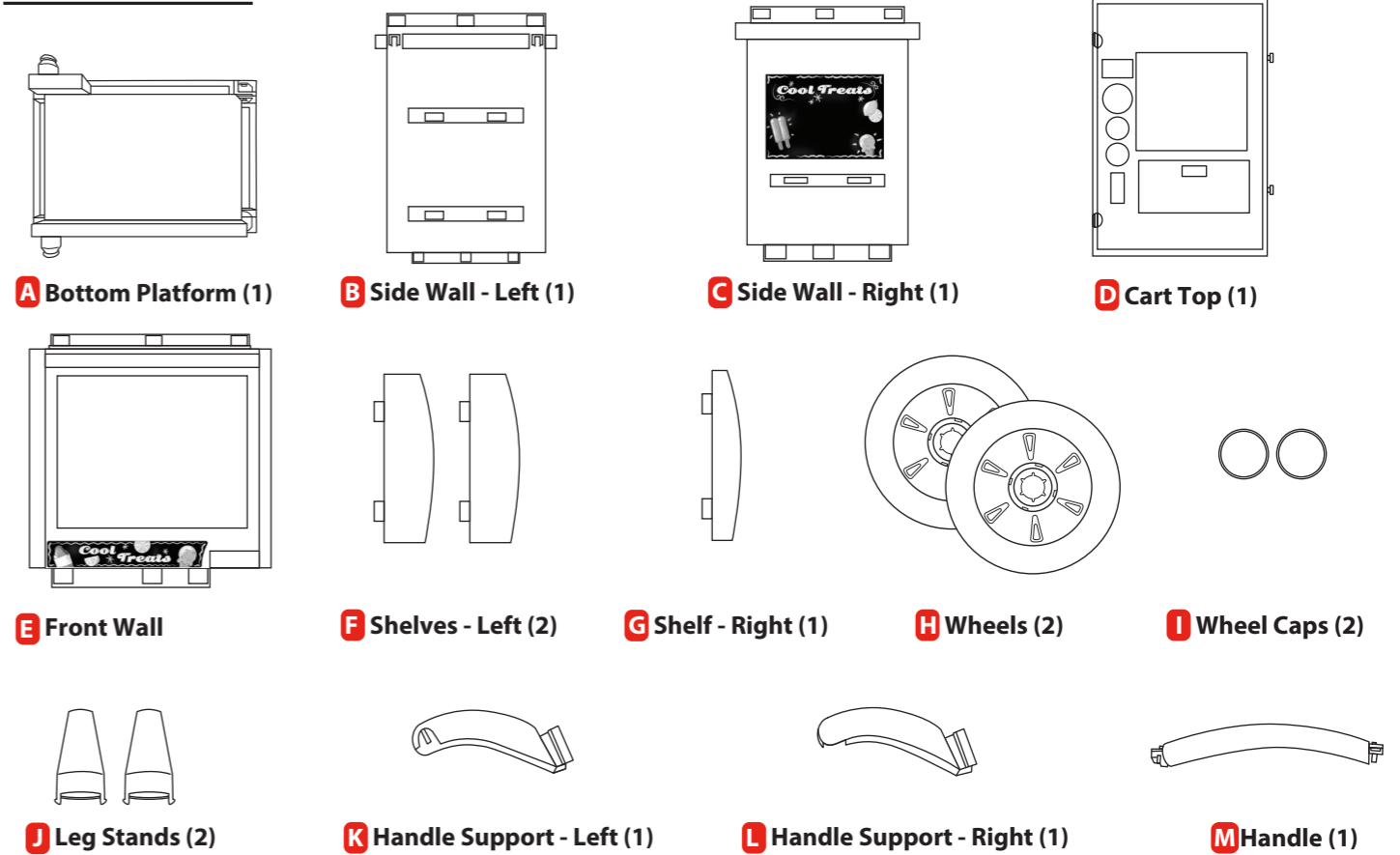
With the cart on its side, snap one Wheel (H) onto the Bottom Platform (A). Then, snap a Wheel Cap (I) onto the center of the wheel. Turn the cart over and repeat on the other side of the cart.



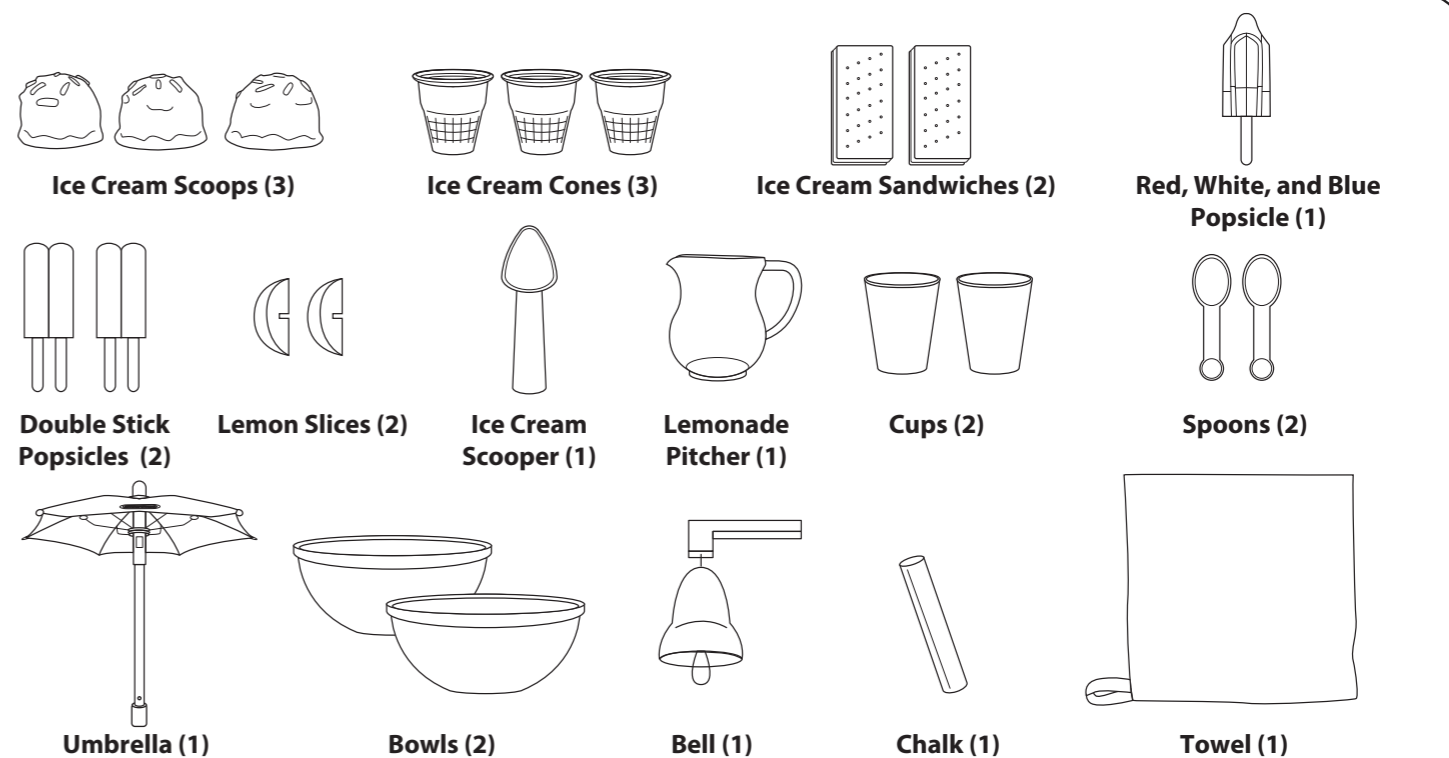
A Few Things Before You Start!

BEFORE you begin assembly, make sure you have all the parts listed below. Questions? We're here to help. Little Tikes® Consumer Service: 1-800-321-0183

Cart Parts

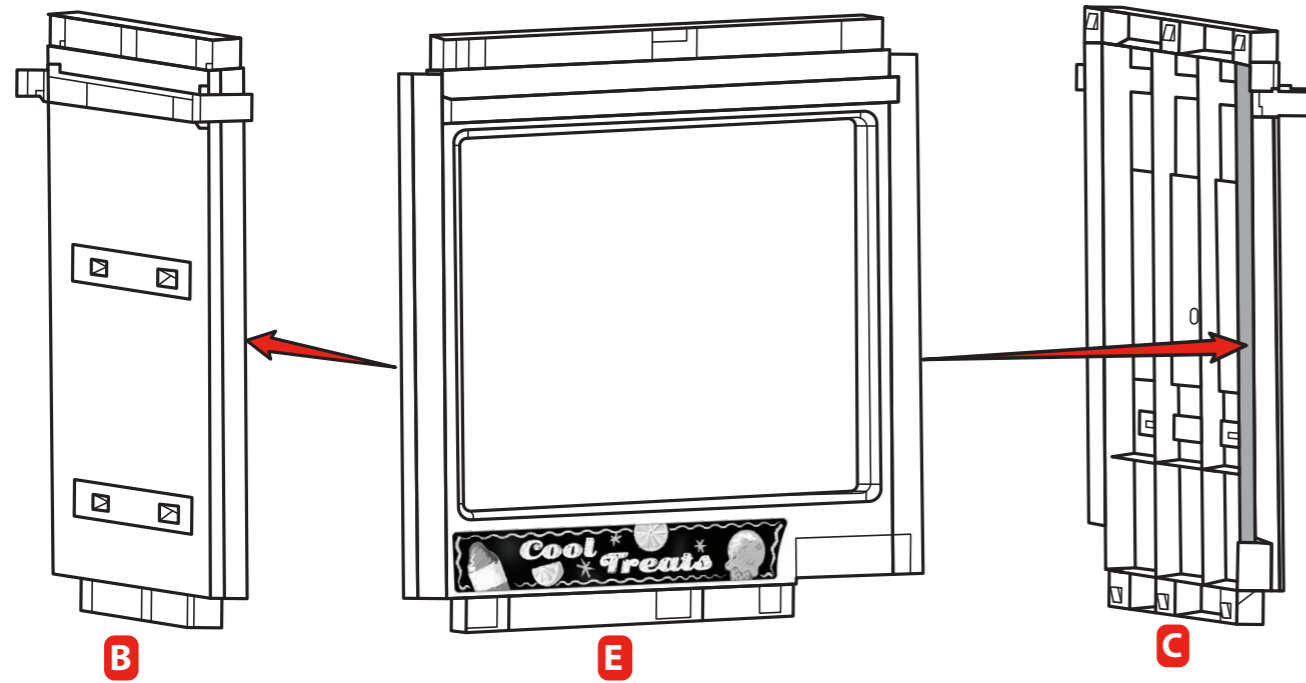


Cart Accessories



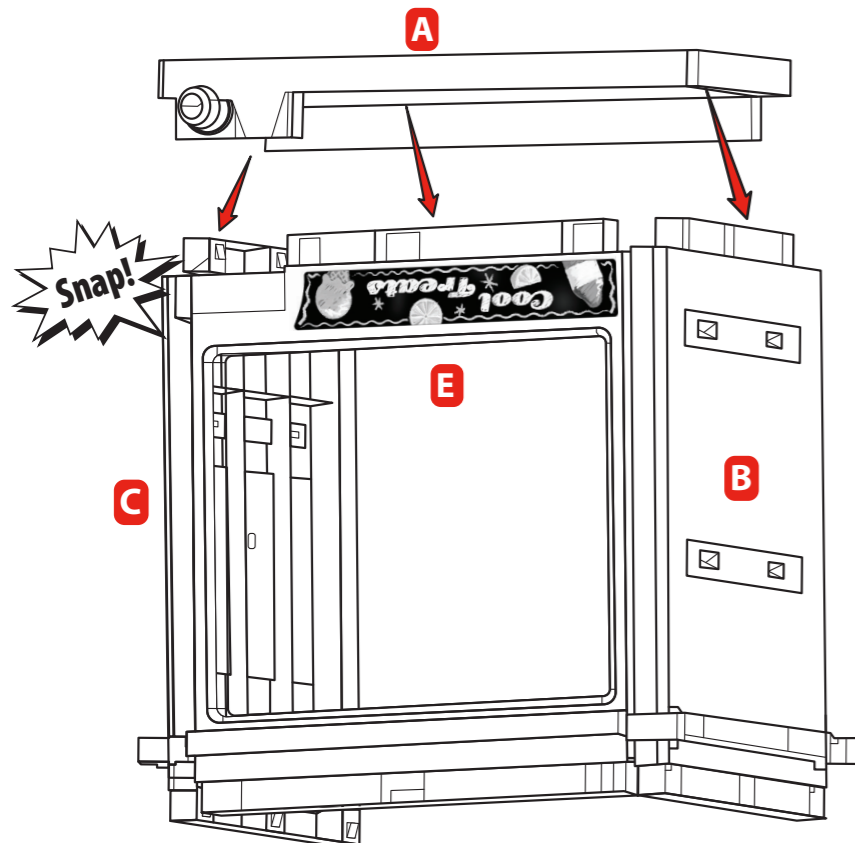
1 Start Building

Connect the Front Wall (E) to the Side Wall - Left (B) and Side Wall - Right (C).



2 Attach the Bottom

Turn the assembly over. Snap the Bottom Platform (A) onto the Side Walls (B, C) and Front Wall (E). Two adults are recommended for this assembly.

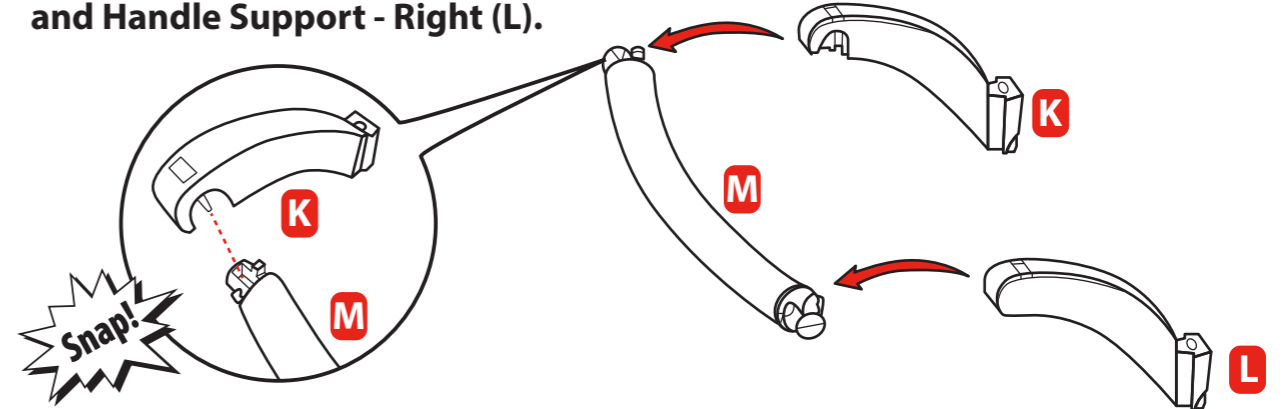


WAIT!

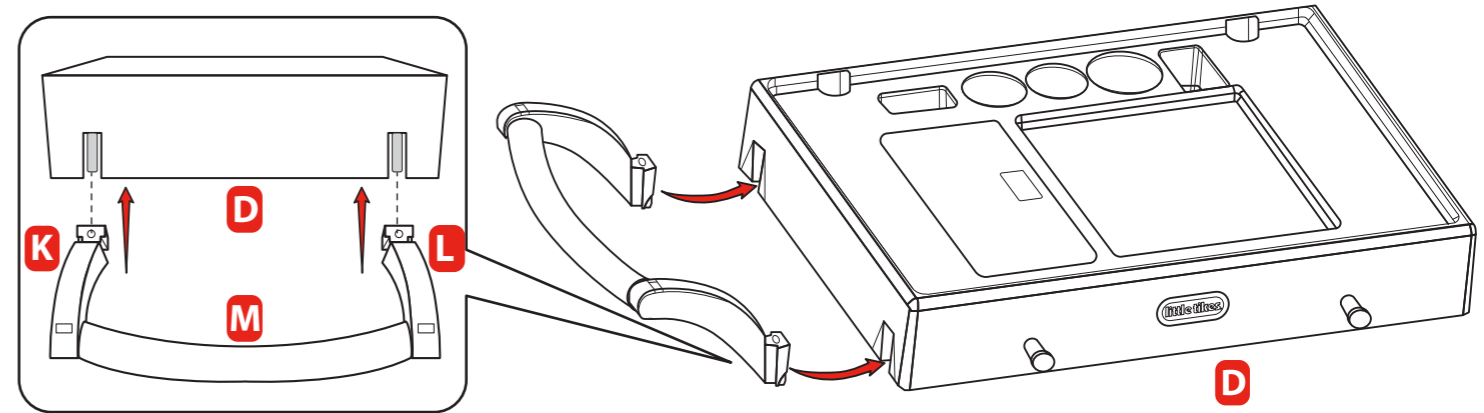
Ensure all 9 tabs snap into place on the Bottom Platform (A). If the side walls do not fit into the Bottom Platform, turn them around. Once assembled, the Bottom Platform cannot be removed.

3 Handle It

Snap the Handle (M) into the Handle Support - Left (K) and Handle Support - Right (L).

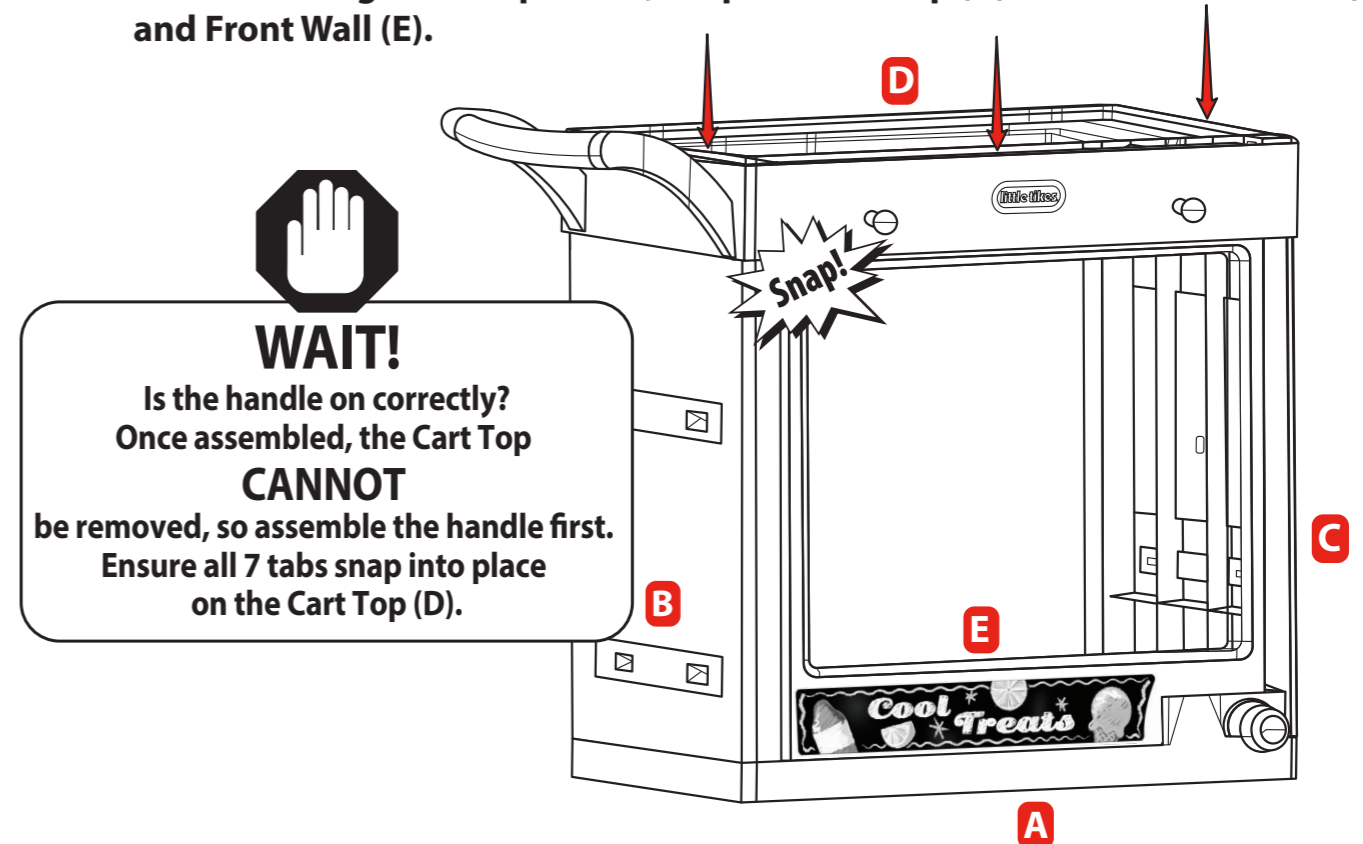


Attach the Handle Supports (K, L) to the Cart Top (D) by inserting the pegs on the Cart Top into the openings on the Handle Supports.



4 Top it Off

Turn the cart right side up. Then, snap the Cart Top (D) onto the Side Walls (B, C) and Front Wall (E).



WAIT!

Is the handle on correctly? Once assembled, the Cart Top CANNOT be removed, so assemble the handle first. Ensure all 7 tabs snap into place on the Cart Top (D).