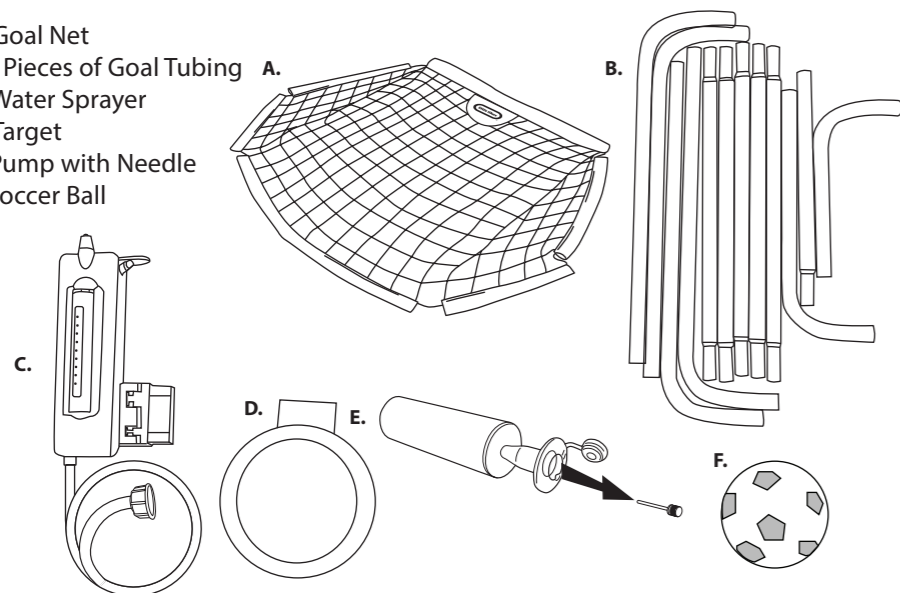


CONTENTS

- A. 1 Goal Net
- B. 12 Pieces of Goal Tubing
- C. 1 Water Sprayer
- D. 1 Target
- E. 1 Pump with Needle
- F. 1 Soccer Ball



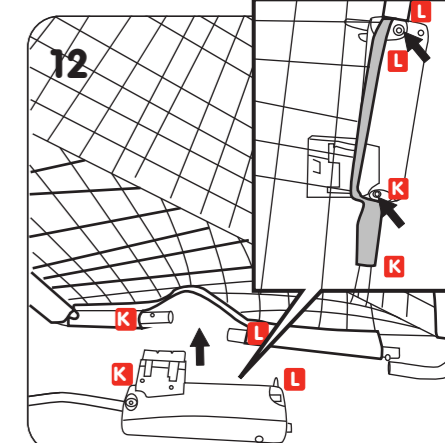
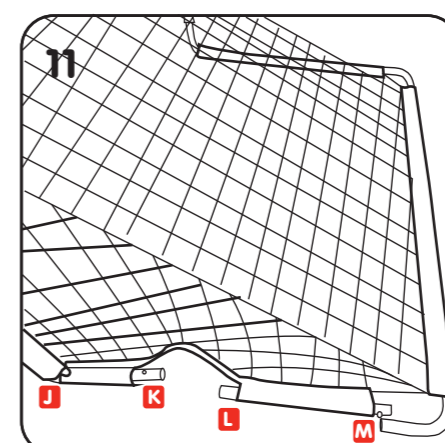
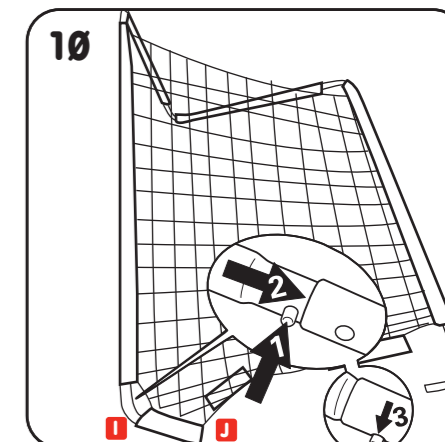
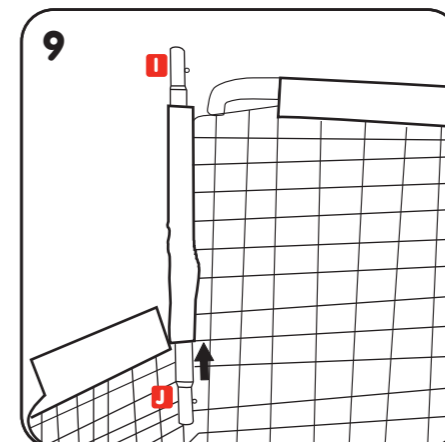
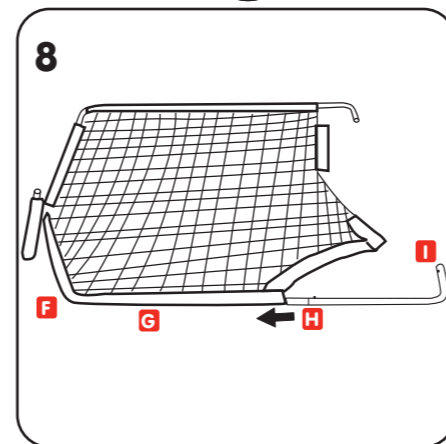
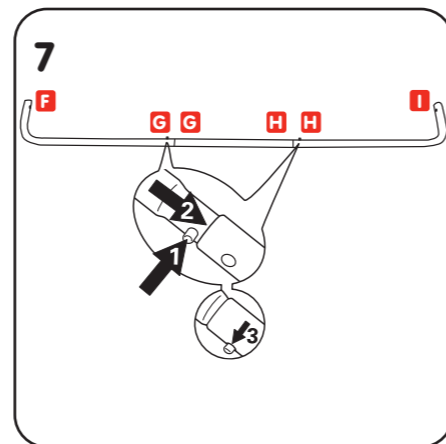
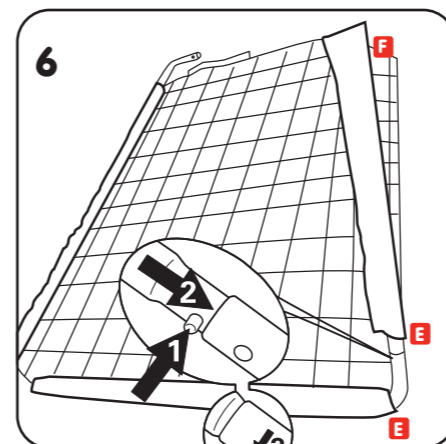
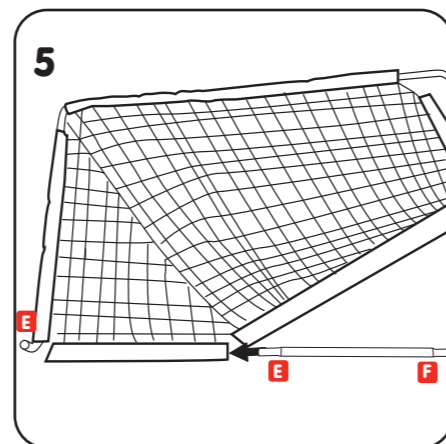
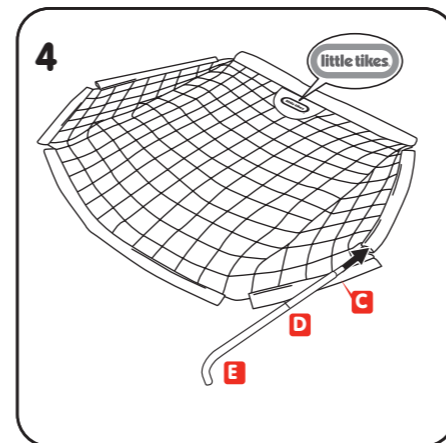
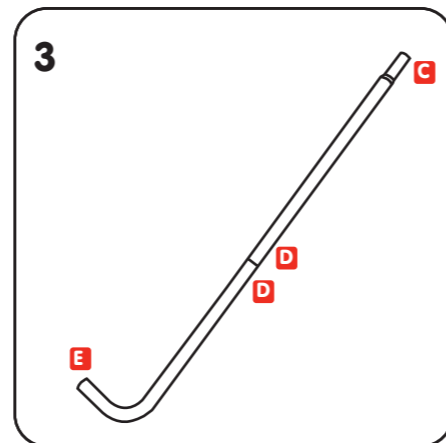
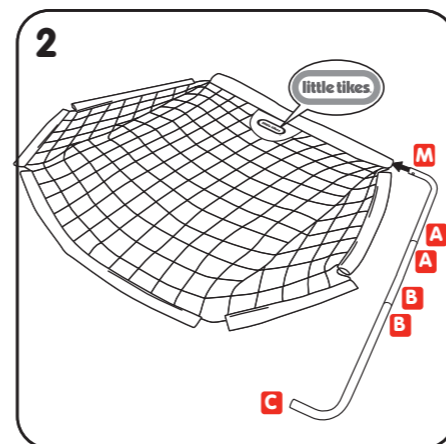
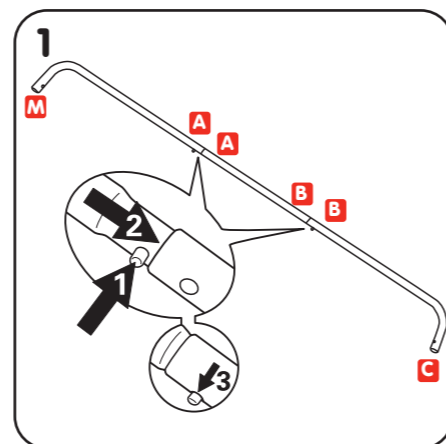
**⚠ WARNING**  
**ADULT ASSEMBLY AND SUPERVISION REQUIRED.**

- Prior to assembly, this package contains small parts: ball inflation needle, which is a choking hazard. Keep out of reach of children.
- Place this product on level ground and avoid using near swimming pools, on or near steps, hills or inclines.
- Constant, competent adult supervision required when children are playing near water. Do not leave children unattended.
- Keep the play area clean and clear of objects to prevent slips and falls.
- Do not aim the soccer ball at the goalie's face.
- Do not place face in front of the target when a shooter is kicking the ball.
- Only use on grass area. Never use on concrete or hard surfaces.
- This product is intended for outdoor domestic family use only.
- Do not allow children to sit, stand, play or climb on the goal netting or railing. Failure to do so may cause the product to become unstable.
- Intended for use with supplied accessories only.
- Never use with anything except clean hose water. Use of other liquids may be harmful or damage the unit.
- When the water pressure exceeds a certain psi (≈ 58 psi), the water will flow from the bottom of the sprayer, but it will not affect the product function.
- Do not store or leave garden hose (not included) in product when not in use.
- Remove all water from the water sprayer after use and before storing.
- Keep these instructions for future reference and save the dated sales receipt for proof of purchase.
- Please remove all packaging including tags, ties & tacking stitches before giving this product to a child.
- Illustrations are for reference only. Styles may vary from actual contents.

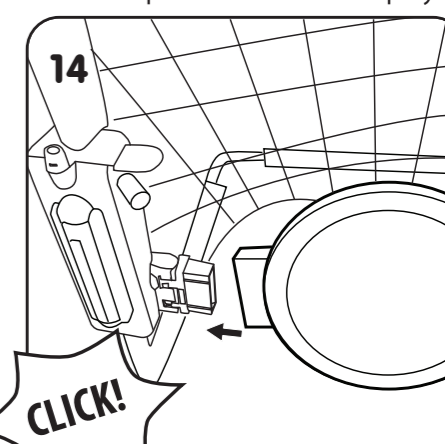
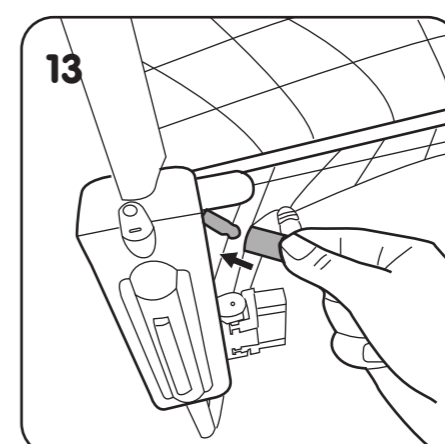
⚠ WARNING. Not suitable for children under three years. Long cord.  
Strangulation hazard.

ASSEMBLY

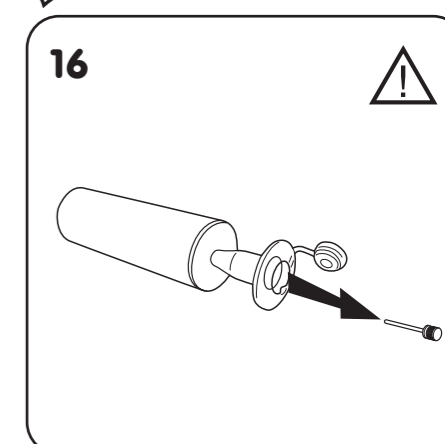
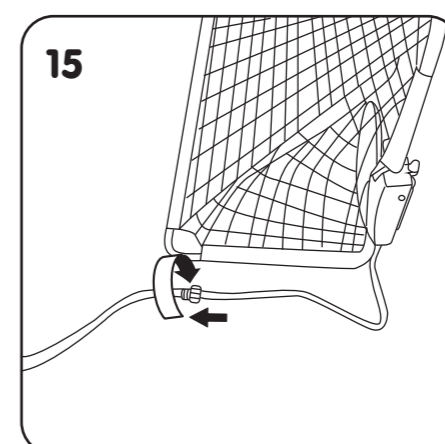
Connect poles together so the letters match up, starting with letter A.  
Slide the connected poles through the sleeves around the net to build the goal.

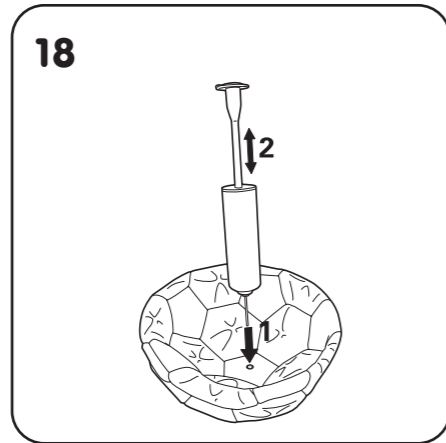
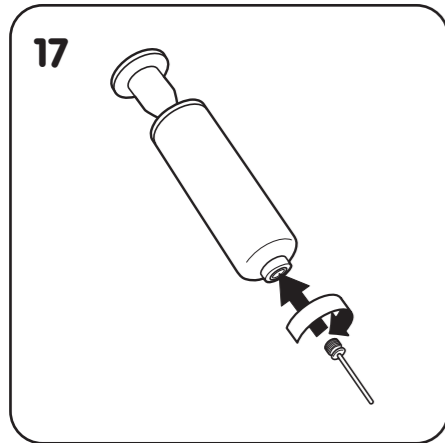


Fabric strap runs behind water sprayer.



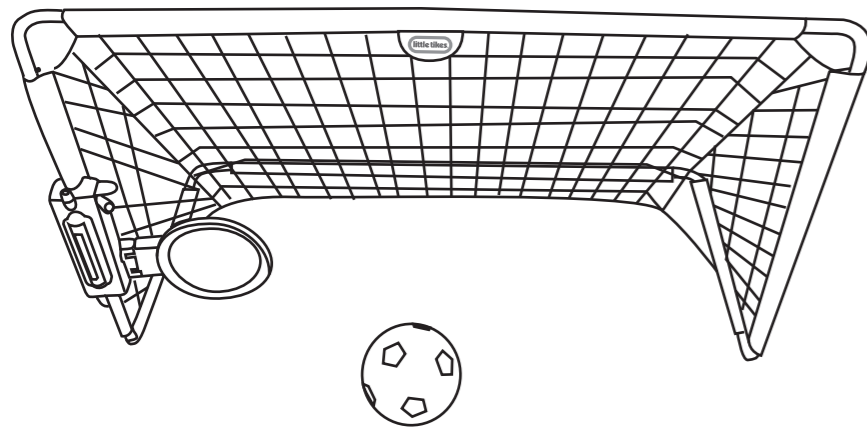
CLICK!



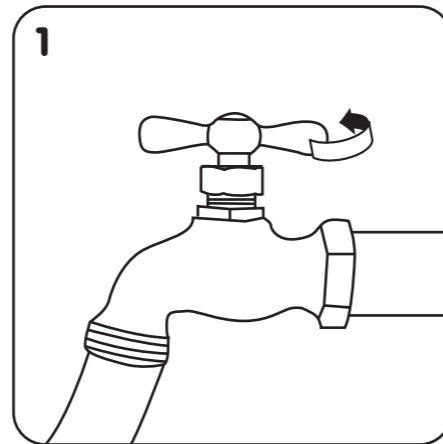


**TO INFLATE SOCCER BALL**

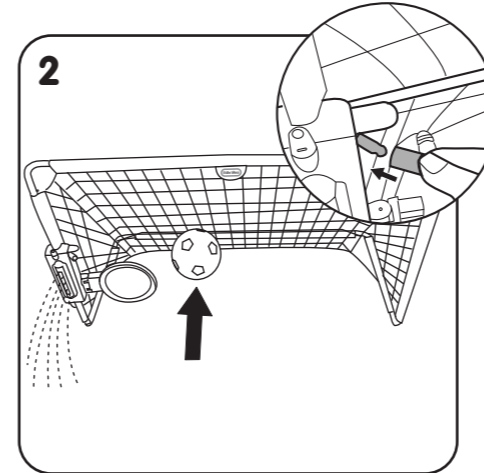
1. Use only the air pump and needle provided.
2. Moisten the needle to insert into the soccer ball plug.
3. Inflate the ball to approximately 18.84 in. (47.9 cm) circumference, 4.4 psi (0.3 atm). Do not over-inflate.



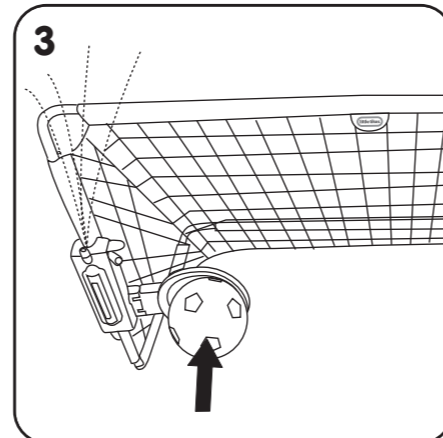
**LET'S PLAY**



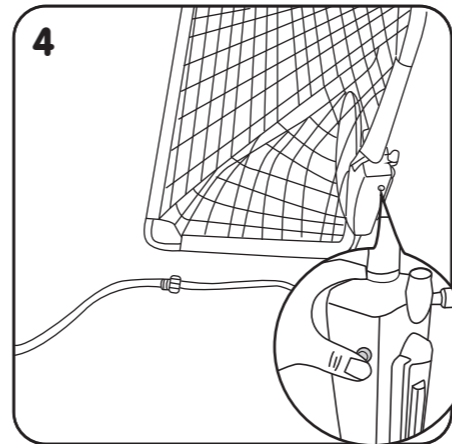
Turn on your hose (not included). To adjust the stream of water, increase or decrease the water pressure.



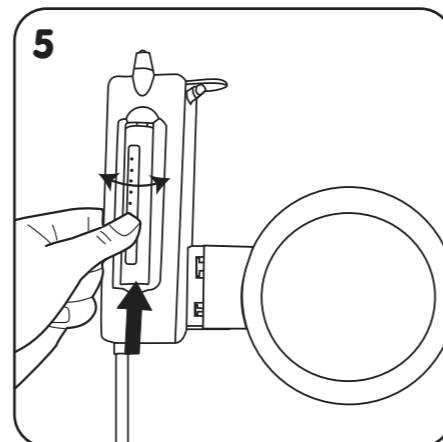
Make sure the net connection is attached to the water sprayer. When the kicker scores a goal, water will spray out toward the kicker!



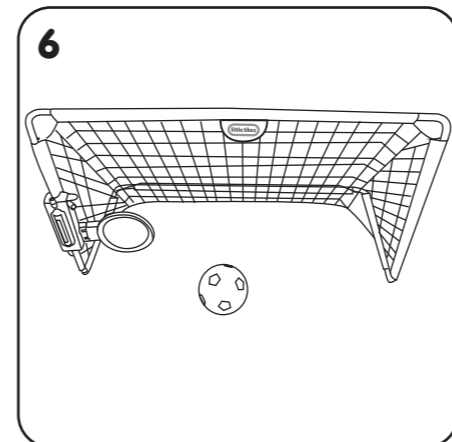
If the kicker hits the target, water will spray out of the top of the water sprayer!



Push the button on the side of the water sprayer for a free-flowing spray to the front.



Push up on the spray nozzle until it clicks into place. Manually adjust the direction of the horizontal spray by pushing the spray nozzle left, center, or right.



Play wet or dry soccer! Simply disconnect your garden hose and turn it off.

**LIMITED WARRANTY**

The Little Tikes Company makes fun, high quality toys. We warrant to the original purchaser that this product is free of defects in materials or workmanship for one year \* from the date of purchase (dated sales receipt is required for proof of purchase). At the sole election of The Little Tikes Company, the only remedies available under this warranty will be the replacement of the defective part or replacement of the product. This warranty is valid only if the product has been assembled and maintained per the instructions. This warranty does not cover abuse, accident, cosmetic issues such as fading or scratches from normal wear, or any other cause not arising from defects in material and workmanship. \*The warranty period is three (3) months for daycare or commercial purchasers.

U.S.A and Canada: For warranty service or replacement part information, please visit our website at [www.littletikes.com](http://www.littletikes.com), call 1-800-321-0183 or write to: Consumer Service, The Little Tikes Company, 2180 Barlow Road, Hudson OH 44236, U.S.A. Some replacement parts may be available for purchase after warranty expires—contact us for details.

Outside U.S.A and Canada: Contact place of purchase for warranty service. This warranty gives you specific legal rights, and you may also have other rights, which vary from country/state to country/state. Some countries/states do not allow the exclusion or limitation of incidental or consequential damages, so the above limitation or exclusion may not apply to you.

Please keep this manual as it contains important information.



© The Little Tikes Company, an MGA Entertainment company. LITTLE TIKES® is a trademark of Little Tikes in the U.S. and other countries. All logos, names, characters, likenesses, images, slogans, and packaging appearance are the property of Little Tikes.



[www.littletikes.com](http://www.littletikes.com)  
[www.littletikes.co.uk](http://www.littletikes.co.uk)  
[www.littletikes.com.au](http://www.littletikes.com.au)

Printed in China • 0920-0-E/INT

**Little Tikes Consumer Service**  
 2180 Barlow Road  
 Hudson, Ohio 44236 U.S.A.  
 1-800-321-0183

**MGA Entertainment UK Ltd.**  
 50 Presley Way, Crownhill, Milton Keynes, MK8  
 OES, Bucks, UK  
[support@LittleTikesStore.co.uk](mailto:support@LittleTikesStore.co.uk)  
 Tel: +0 800 521 558

**MGA Entertainment (Netherlands) B.V.**  
 Baronie 68-70, 2404 XG Alphen a/d Rijn  
 The Netherlands  
 Tel: +31 (0) 172 758038  
 E-mail: [klantenservice@mgae.com](mailto:klantenservice@mgae.com)  
**Imported by MGA Entertainment Australia Pty Ltd**  
 Suite 2.02, 32 Delhi Road  
 Macquarie Park NSW 2113  
 1300 059 676