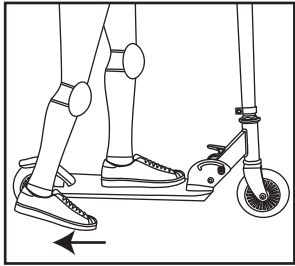


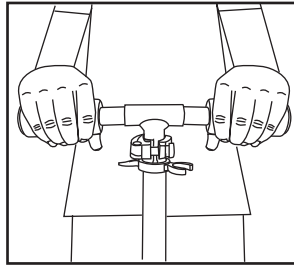
## RIDING

### RIDING



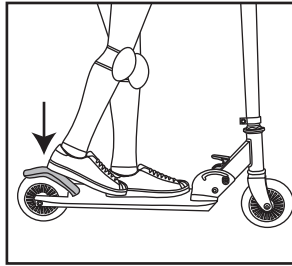
To ride, place one foot toward the front of the deck. Use your dominant foot to propel yourself by pushing off of the ground. Then, bring your dominant foot onto the deck.

### STEERING



To steer, place both hands on the handlebars. When turning, slightly lean into the direction you are turning.

### BRAKING



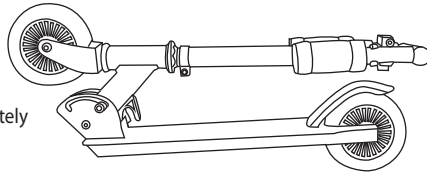
To brake, step on the covering over the rear wheel. Practice braking at varying speeds in open areas away from others until you are comfortable braking. After use, the brake will be HOT. DO NOT TOUCH.

## RIDING REMINDERS:

- Always wear protective gear.
- Do not attempt any tricks or stunts until you are comfortable riding, regardless of what others around you are doing.
- Performing stunts reduces your ability to control the unit.
- For your safety, do not use scooter at a skate ramp or skate park intended for skateboarding.
- Do not ride down steep slopes, in traffic, or near streets.
- Practice in safe, open areas free from obstructions. Look out for pedestrians, bikers, skateboarders, and skaters.

## FOLDING

- Loosen the handle clamp and completely collapse the handlebar.
- Release the buttons on the handles, and fold them down. Clip them onto the handle clips.
- Loosen the stem hinge clamp.
- Pull up on the folding lever and push the handlebar down completely so it is parallel with the deck. Release the lever.



## MAINTENANCE AND CLEANING

- Check all wheels and other bolted parts prior to each use. Self-locking fixings may lose their effectiveness over time. Tighten all bolts with an Allen wrench or screwdriver (not included) as necessary.
- Only use parts and accessories approved by the manufacturer and included with the product at the point of sale. Other accessories are not approved for use with the scooter and could damage the unit or cause injury to the rider.
- Wipe the unit clean with a damp cloth. Do not use harsh chemicals or abrasive cleaning materials to prevent damaging the paint and decals.
- Clean the wheel and the wheel bearing with a damp cloth after use & add bearing lubricant as needed.
- Store indoors in the folded position. Do not store in direct sunlight for prolonged periods.
- FOR WARRANTY INFORMATION, PLEASE VISIT [LITTLETIKES.COM/WARRANTY](http://LITTLETIKES.COM/WARRANTY)

Please keep this manual as it contains important information.



0518-0-E/INT

www.LOLsurprise.com  
 ©2018 MGA Entertainment, Inc.  
 L.O.L. SURPRISE!™ is a trademark of MGA in the U.S. and other countries. All logos, names, characters, likenesses, images, slogans, and packaging appearance are the property of MGA.  
 16300 Roscoe Blvd.  
 Van Nuys, CA 91406  
 U.S.A.

Little Tikes Consumer Service  
 2180 Barlow Road Hudson, Ohio 44236  
 U.S.A.  
 1-800-321-0183  
**Printed in China**

[www.littletikes.com](http://www.littletikes.com)  
[www.littletikes.co.uk](http://www.littletikes.co.uk)

little tikes.

Visit our website at [www.littletikes.com](http://www.littletikes.com) to register your product and to enter our sweepstakes. (No purchase necessary)

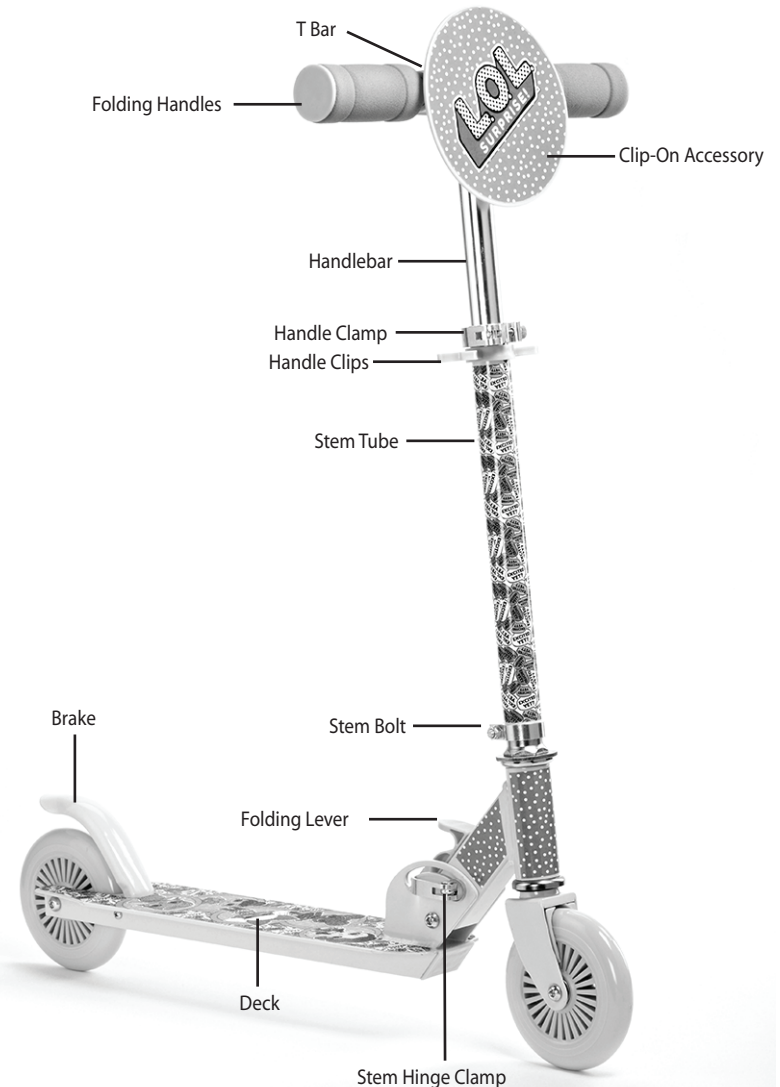


# FOLDING KICK SCOOTER

649257 / 649264 / 486340



AGES 5+  
 ADULT ASSEMBLY REQUIRED  
 ADULT SUPERVISION REQUIRED



Illustrations are for reference only. Styles may vary from actual contents.

## SAFETY WARNINGS

### ▲ WARNING:

**READ AND FOLLOW ALL INSTRUCTIONS TO ENSURE A SAFE RIDE.** Failure to read and understand all information in this manual increases risk of injury due to falls or other incidents. Riding a scooter takes skill and must be learned under adult supervision. By riding this scooter, users risk serious injury or death from collisions, falls or loss of control.

**PARENTS:** For your child's safety, it is your responsibility to ensure your child fully understands all warnings, cautions and instructions in this manual prior to riding the scooter. Parental supervision is required at all times while your child is riding the scooter. Periodically review the information in this manual with young riders. Before each use, inspect the scooter for any damage and do not allow children to ride the scooter if it is broken or damaged in any way. Properly maintain the scooter in accordance with the instructions. Do not make modifications to the scooter.

## RIDER SPECIFICATIONS

### ▲ WARNING:

**NOT FOR USERS UNDER AGE 5 OR HEAVIER THAN 110 LBS (50 KG). DO NOT EXCEED THE WEIGHT LIMIT OF 110 LBS (50 KG)** - including backpacks and other items that might be carried. Exceeding the weight limit could injure the rider and damage the unit. Rider weight alone does not necessarily mean a person's size is appropriate to fit or maintain control of the scooter. Keep this product away from small children and remember that this product is only intended for use by persons who are, at minimum, comfortable and competent while riding the unit.

Children under the age of 5 should not be permitted to use this product. This age recommendation is only an estimate and can be affected by the rider's size, weight, maturity or skills. Not every rider 5 years or older will be suited to the product. Any rider unable to fit comfortably on the scooter should not ride. **A parent's decision to allow a child to ride this product should be based on the child's maturity, skill and ability to follow rules. DO NOT disregard this recommendation or permit young children to ride this scooter.**

Persons with mental or physical conditions that may make them susceptible to injury, impair their physical dexterity or mental capabilities to recognize, understand and follow safety instructions, and/or hinder their ability to understand the hazards inherent in a product's use, should not use or be permitted to use products inappropriate for their abilities. Persons with heart conditions, head, back or neck ailments (or prior surgeries to those areas), or pregnant women should not ride this product.

## USAGE

### ▲ WARNING:

Riding a scooter can be dangerous and poses the possibility of losing control of the unit and/or falling. Even when used with proper safety precautions, riding a scooter may result in injury or death. Use at your own risk and practice common sense.

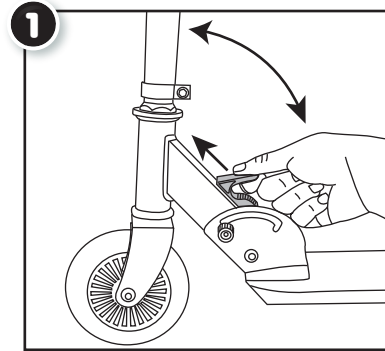
In many states and local areas scooter riders are required to wear a helmet by law. Check local laws and regulations regarding helmet use and scooter operation in your area.

- Always wear proper safety gear including a helmet with chin strap, knee pads, and elbow pads. Ensure the chin strap is securely fastened prior to riding.
- Always wear closed-toe shoes with laces. Do not wear slip on shoes or sandals. Do not ride barefoot.
- Keep shoelaces, hair and other objects away from the rotating wheels and other moving parts of the unit.
- Hold onto the handlebars at all times while riding.
- Do not ride in areas with vehicular traffic or in the street.
- Watch out for pedestrians. Do not ride in heavily-traveled areas. Ride in open spaces away from obstacles.
- Ride on smooth, even surfaces. Avoid bumps, drainage grates, and surface changes to prevent the scooter from suddenly stopping.
- Avoid slopes with a high grade. Excessive downhill speed is dangerous and should be avoided.
- Never use near steps, sloped driveways, hills, roadways, alleys or swimming pool areas.
- Avoid surfaces with water, sand, gravel, dirt, leaves, and other debris. Wet weather impairs traction, braking, and visibility.
- Do not ride a scooter in wet weather. Scooters are intended for use on solid, flat, clean and dry surfaces, such as pavement or level ground without loose debris, such as rocks or gravel.
- Wet, slick or uneven surfaces may impair traction and contribute to possible accidents. Do not ride a scooter in mud, ice, puddles or water.
- Do not ride indoors to prevent damage to flooring and surrounding objects.
- Do not ride at night, as visibility is limited.
- The brake will become hot after use. **DO NOT TOUCH.**
- An **ADULT** must make necessary adjustments including folding and unfolding the scooter, and adjusting the handlebar and steering capabilities.
- Keep fingers and other body parts away from the product when folding or unfolding.
- Obey all local traffic laws and regulations.

## FUTURE USE AND OTHER RIDERS

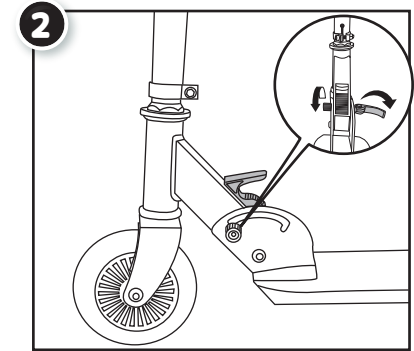
- Keep these instructions for future reference.
- Periodically review this information and make sure that you and the rider understand all safety warnings and instructions.
- Do not let others ride the unit until they have read this entire manual.
- Only one rider is permitted at a time.

## GETTING STARTED

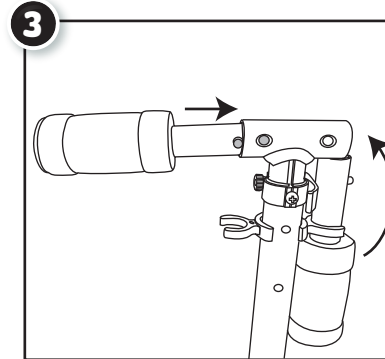


Pull up on the folding lever and pull the handlebar fully upright. Release the lever, and the handle will lock into position.

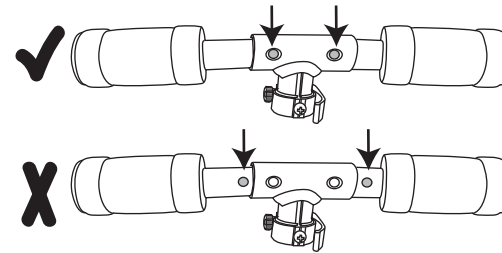
**NOTE:** Keep fingers away from all moving parts and mechanisms to prevent pinching.



Twist the knob on the stem hinge clamp until the front wheel assembly is secure. Then, flip the latch to lock it in place. Use this clamp to adjust the stability of the front wheel assembly. **DO NOT** over-tighten.

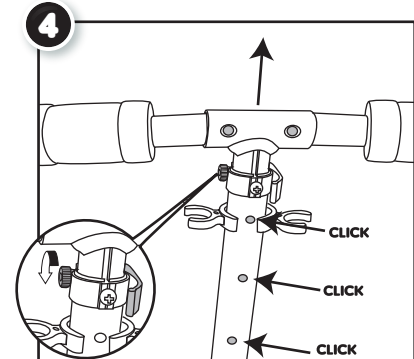


Release the handles from the clips. Press the buttons on the handles and insert them into the T bar until the buttons fit into the openings and "click" into place.

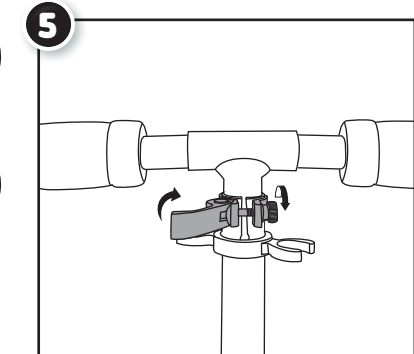


**Ensure the buttons are locked in the openings on the T bar and handle tube prior to riding. Handles and handlebar are locked when they cannot twist, turn, or slide and buttons are fully visible in the openings.**

**If buttons are not locked in place, the handles and handlebar may disengage during use and cause the rider to lose control or fall.**



Loosen the knob and open the latch on the handle clamp. Then, pull the handlebar upward until the button "clicks" into place. Press the button and pull up or push down on the handlebar to adjust the height.



Tighten the knob on the handle clamp and flip the latch to lock the handle in place. Use this clamp to adjust the height and stability of the handlebar. **DO NOT** over-tighten.