

## ACTIVATING THE PUMP

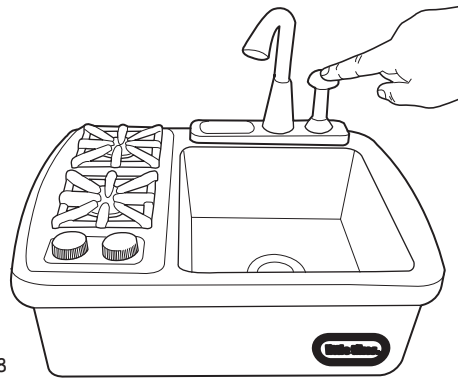


Fig. 8

1. With the stopper fully covering the sink opening, press down on the pump plunger several times until water begins to flow out of the faucet and into the sink. (Fig. 8)
2. Lift sink stopper up slightly and hold to drain water from sink.
3. When finished playing ask an adult to empty the water from the unit.

## STORING THE UNIT

1. Empty all water from the unit.
2. Drain the pump by pressing it repeatedly until no water comes out.
3. Dry the unit thoroughly.
4. Store the unit in a cool, dry place away from sunlight.

## ⚠️ WARNINGS

- Constant competent adult supervision must be present when children are playing around water.
- Use **ONLY** clean water (other liquids may damage the pump) and discard water after playing.
- Keep unit away from electrical outlets, cords, and kitchen appliances such as toasters, mixers, etc.
- Wash accessories before use.

## LIMITED WARRANTY

The Little Tikes Company makes fun, high quality toys. We warrant to the original purchaser that this product is free of defects in materials or workmanship for one year\* from the date of purchase (dated sales receipt is required for proof of purchase). At the sole election of The Little Tikes Company, the only remedies available under this warranty will be the replacement of the defective part or replacement of the product. This warranty is valid only if the product has been assembled and maintained per the instructions. This warranty does not cover abuse, accident, cosmetic issues such as fading or scratches from normal wear, or any other cause not arising from defects in material and workmanship. \*The warranty period is three (3) months for daycare or commercial purchasers. U.S.A and Canada: For warranty service or replacement part information, please visit our website at [www.littletikes.com](http://www.littletikes.com), call 1-800-321-0183 or write to: Consumer Service, The Little Tikes Company, 2180 Barlow Road, Hudson OH 44236, U.S.A. Some replacement parts may be available for purchase after warranty expires—contact us for details.

Outside U.S.A and Canada: Contact place of purchase for warranty service. This warranty gives you specific legal rights, and you may also have other rights, which vary from country/state to country/state. Some countries/states do not allow the exclusion or limitation of incidental or consequential damages, so the above limitation or exclusion may not apply to you.

Please keep this manual as it contains important information.



0414-0-M

© The Little Tikes Company, an MGA Entertainment company. LITTLE TIKES® is a trademark of Little Tikes in the U.S. and other countries. All logos, names, characters, likenesses, images, slogans, and packaging appearance are the property of Little Tikes. Little Tikes Consumer Service  
2180 Barlow Road  
Hudson, Ohio 44236 U.S.A.  
1-800-321-0183  
Printed in China

MGA Entertainment UK Ltd  
50 Presley Way  
Crownhill  
Milton Keynes  
MK8 0ES  
Bucks, UK  
0800 521 558  
[www.littletikes.com](http://www.littletikes.com)  
[www.littletikes.co.uk](http://www.littletikes.co.uk)



Visit our website at  
[www.littletikes.com](http://www.littletikes.com)  
to register your product  
online!



# Little Tikes® Splish Splash Sink and Stove™

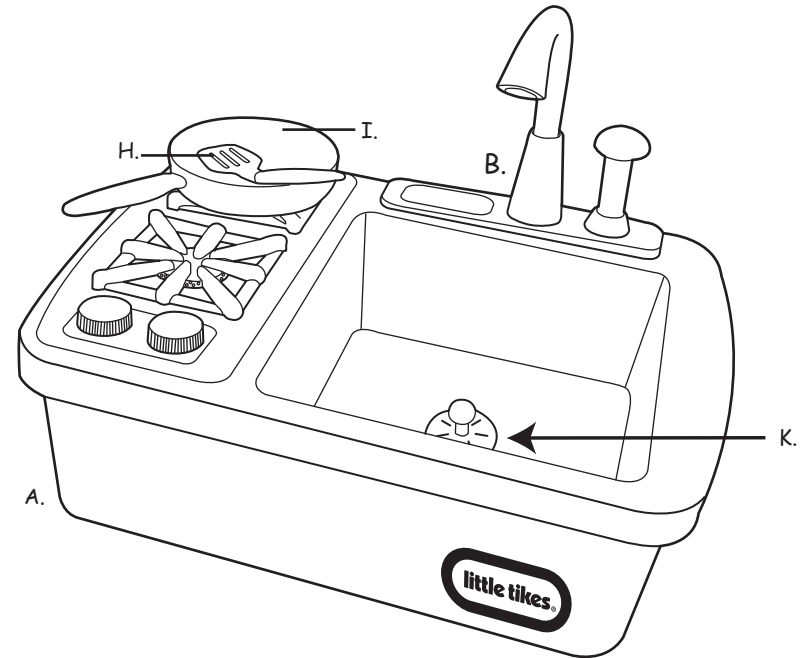
Item No. 63557M  
AGES 3+ YEARS

## ⚠️ WARNING:

Adult assembly required. Prior to assembly, this package contains small parts: hardware which is a choking hazard and may contain sharp edges. Keep away from children until assembled. Adult supervision required.

## CONTENTS

- |  |                    |
|--|--------------------|
| A. 1 Little Tikes® Splish Splash Sink and Stove™ | G. 2 Spoons        |
| B. 1 Faucet                                      | H. 1 Spatula       |
| C. 2 Cups  | I. 1 Frying Pan    |
| D. 2 Plates                                      | J. 1 Pair of Tongs |
| E. 2 Knives                                      | K. 1 Sink Stopper  |
| F. 2 Forks                                       | L. 3 screws        |



C.



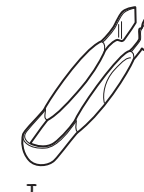
D.



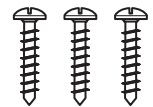
E.

F.

G.



J.



L.

Illustrations are for reference only. Styles may vary from actual contents. Burners are for pretend play only.

## PUMP ASSEMBLY

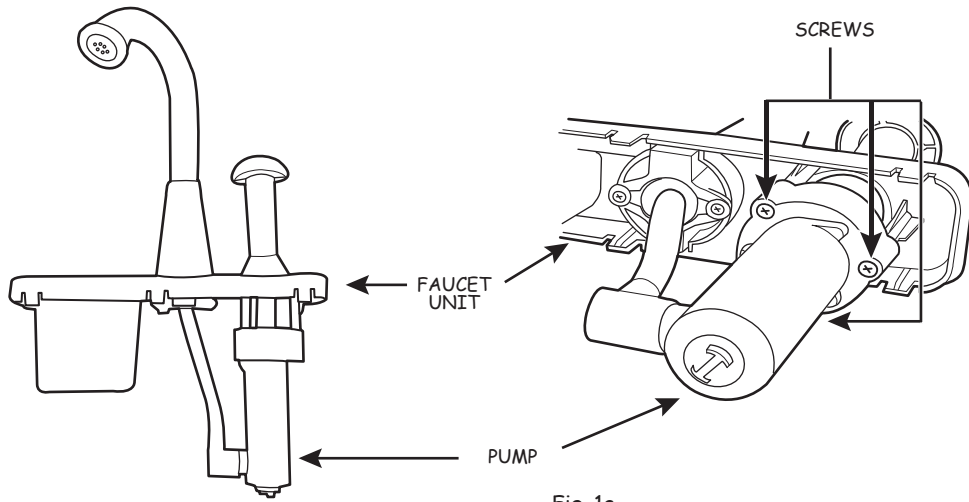


Fig. 1

Fig. 1a.

1. Assemble the pump onto the faucet unit as shown using the three screws included. (Figs. 1 & 1a.)

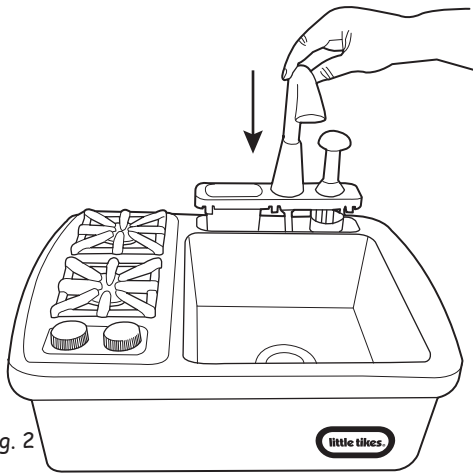


Fig. 2

2. Fit completed faucet/pump unit into the opening in the sink as shown. (Fig. 2)

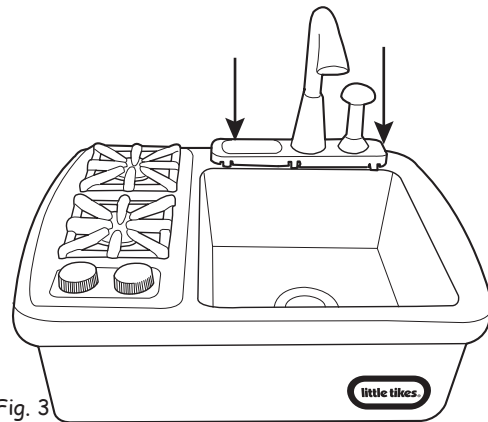


Fig. 3

3. Press down firmly on the faucet/pump unit until the unit **snaps** into place. (Fig. 3)

NOTE: FAUCET PUMP/UNIT CANNOT BE REMOVED ONCE IT SNAPS INTO PLACE.

## UNIT ASSEMBLY CONT'D

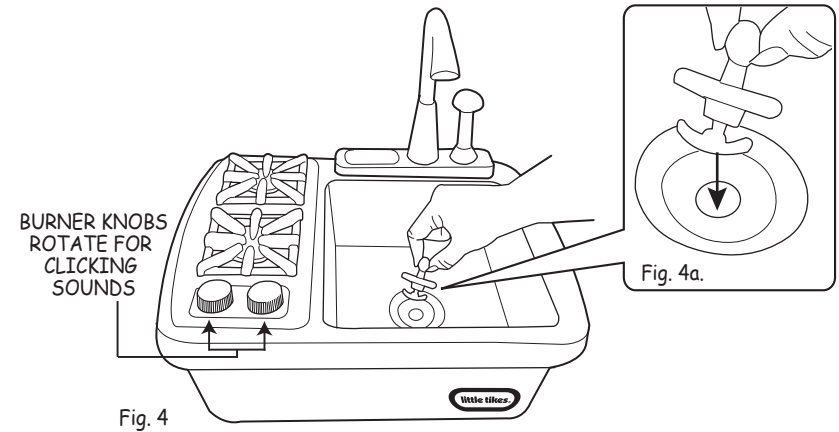


Fig. 4

4. Fit sink stopper over opening in sink as shown and press firmly until it pops into place. (Fig. 4a.)
5. Lift sink stopper slightly and hold to drain water from sink.

## FILLING WITH WATER

1. Cover the play area with plastic to avoid water damage.
2. Pull outward on side edges of the sink top and lift to remove top from sink base. (Fig. 5)
3. Fill sink base **ONLY** with clean, clear water up to the water fill line as shown. (Fig. 6)
4. Place Sink Top on Sink Base (pump will automatically fit into pump bracket (Fig. 7) and press firmly.

IMPORTANT NOTE: Use **ONLY** clean water. **DO NOT** use other liquids. **DO NOT** use soap.

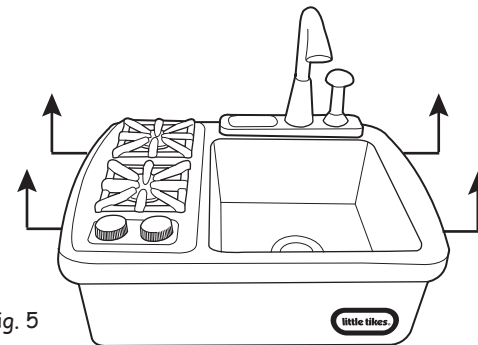


Fig. 5

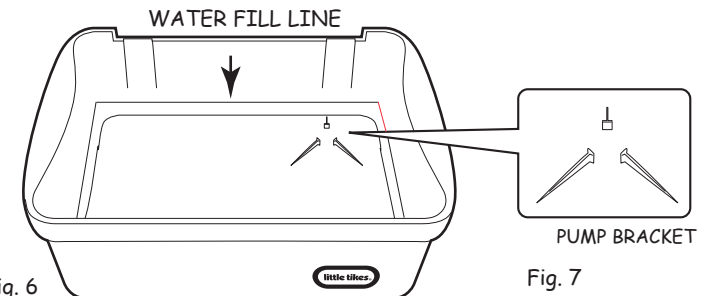


Fig. 6

Fig. 7