

**⚠ WARNING: FIRE PREVENTION**

- DO NOT make modifications to this vehicle.
- ONLY use the battery charger which comes with this vehicle.
- ONLY an adult should charge and/or handle the battery.
- DO NOT carry the battery by the wires.
- Each time you charge the battery, check the battery, charger and their connectors for excessive wear or damage. DO NOT use the battery or unit if any damage is detected.
- DO NOT touch the motor as it may be hot.

**MAINTENANCE, CLEANING & CARING FOR YOUR VEHICLE**

- Do not attempt to modify or repair this product. For help contact Little Tikes Consumer Service.
- Clean vehicle with a slightly damp cloth (cold water). DO NOT wash with soapy water or spray vehicle with a hose. DO NOT wipe vehicle with car wax or other wax-based polish.
- Store vehicle indoors or cover with a protective tarp during inclement weather.
- When vehicle is not used on a regular basis, charge the battery once per month.
- DO NOT drive vehicle during wet or snowy weather as moisture can cause corrosion in the motor or electrical switches.
- DO NOT drive vehicle on gravel or sand as doing so may cause motor to jam.

**LIMITED WARRANTY**

The Little Tikes Company makes fun, high quality toys. We warrant to the original purchaser that this product is free of defects in materials or workmanship for one year\* (dated sales receipt is required for proof of purchase). At the sole election of The Little Tikes Company, the only remedies available under this warranty will be either replacement of the defective part of the product or replacement of the product. This warranty is valid only if the product has been assembled and maintained per the instructions. This warranty does not cover abuse, accident, cosmetic issues such as fading or scratches from normal wear, or any other cause not arising from defects in material and workmanship.

U.S.A and Canada: For warranty service or replacement part information, please visit our website at [www.littletikes.com](http://www.littletikes.com), call 1-800-321-0183 or write to: Consumer Service, The Little Tikes Company, 2180 Barlow Road, Hudson OH 44236,

U.S.A. Some replacement parts may be available for purchase after warranty expires contact us for details. Outside U.S.A and Canada: Contact place of purchase for warranty service. This warranty gives you specific legal rights, and you may also have other rights, which vary from country/state to country/state. Some countries/states do not allow the exclusion or limitation of incidental or consequential damages, so the above limitation or exclusion may not apply to you. This product is not intended for daycare or commercial use.

\*We warrant to the original purchaser that the battery is free of defects in materials or workmanship for six months from the date of purchase (dated sales receipt is required for proof of purchase).

Please keep this manual as it contains important information.



0314-1-C

© The Little Tikes Company, an MGA Entertainment company. LITTLE TIKES® is a trademark of Little Tikes in the U.S. and other countries. All logos, names, characters, likenesses, images, slogans, and packaging appearance are the property of Little Tikes. Little Tikes Consumer Service 2180 Barlow Road Hudson, Ohio 44236 U.S.A. 1-800-321-0183 Printed in China



Visit our website at [www.littletikes.com](http://www.littletikes.com) to register your product and to enter our sweepstakes. (No purchase necessary)

[www.littletikes.com](http://www.littletikes.com)

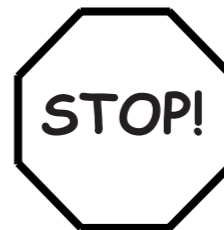
little tikes.

Little Tikes® 12V Road Ninja™

ENG

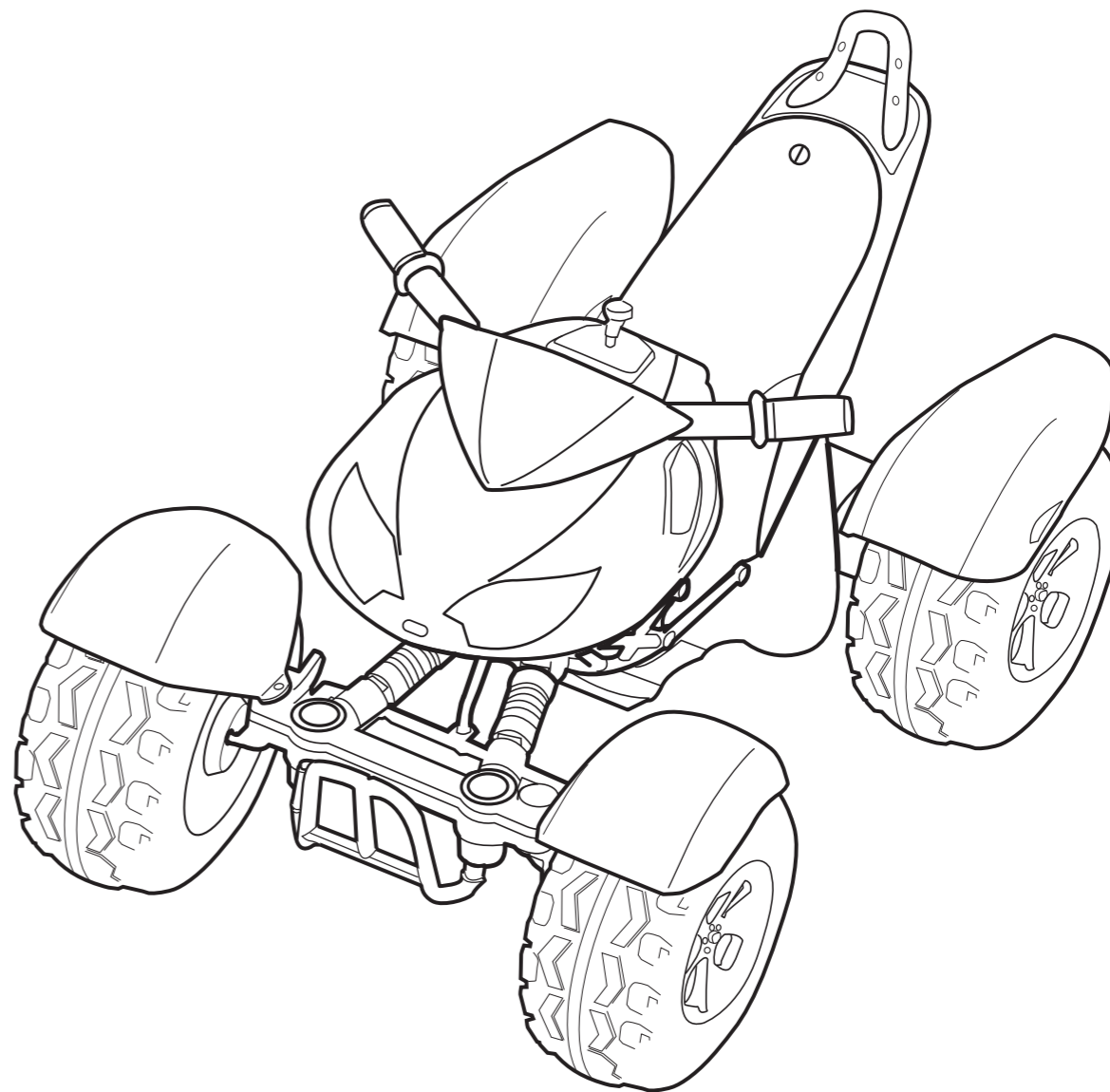
631238C

ADULT ASSEMBLY AND SUPERVISION REQUIRED



PLEASE READ INSTRUCTIONS BEFORE USE.

SAVE THIS MANUAL AND YOUR ORIGINAL SALES RECEIPT



**⚠ CAUTION:** BATTERY MUST BE CHARGED FOR 16 HOURS BEFORE FIRST TIME USE.

**⚠ WARNING:** THIS RIDE ON IS NOT INTENDED FOR CHILDREN WEIGHING MORE THAN 65 lbs (29.48kg).

ILLUSTRATIONS ARE FOR REFERENCE ONLY. STYLES MAY VARY FROM ACTUAL CONTENTS.



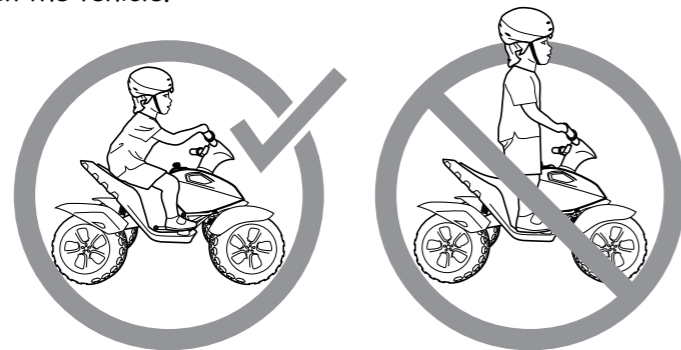
Ages: 3-5 years

**Battery MUST be charged for 16 hours prior to first use!  
DO NOT EXCEED 24 HOURS.**

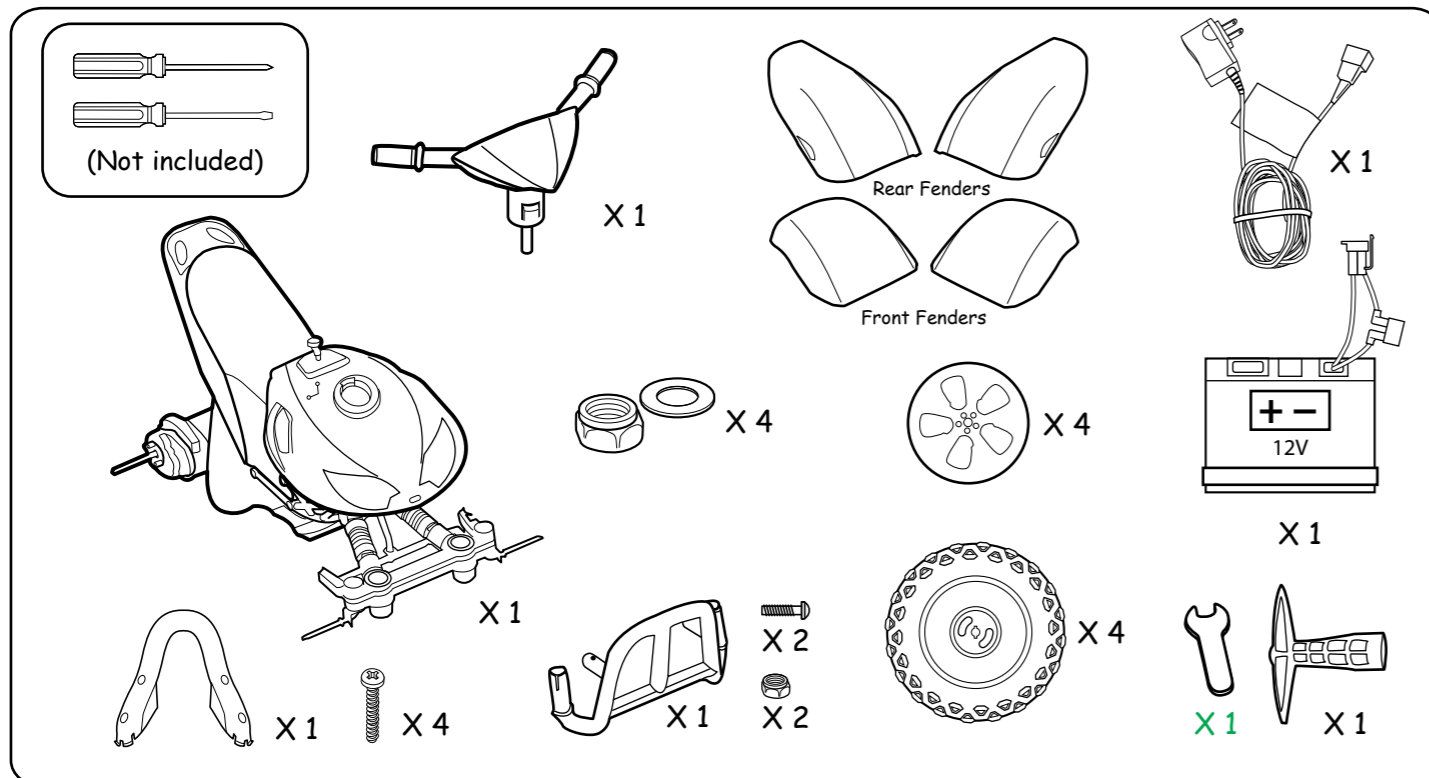
Recharge battery for 8-12 hours after each use.

**IMPORTANT NOTES**

- Before charging, check battery case for damage. If case is damaged, DO NOT charge the battery or use it in your vehicle.
- Use the included battery and charger ONLY.
- DO NOT charge the battery in areas or under circumstances where moisture of any kind is present.
- DO NOT allow children to play with the battery charger. IT IS NOT A TOY.
- Examine the cord, plug, housing or other parts of the vehicle from time to time for damage or wear and tear that may result in the risk of fire, electric shock or injury. DO NOT use the vehicle unless all parts are in safe, working order.
- If the battery is dead or does not accept a charge, remove it from vehicle by opening the Velcro® fastener. Never leave a dead battery in the vehicle.



If you have any questions or concerns, please call our customer service line at 1-800-321-0183



**SAFE BATTERY USAGE**

- Use only the type battery recommended for the unit.
- Battery should be replaced only by an adult.
- Insert battery with the correct polarity (+ and -).
- Do not short-circuit battery.
- When not used for an extended time, remove battery to prevent possible leakage and damage to the unit.
- Rechargeable battery is to be recharged only by an adult.
- Do not recharge non-rechargeable battery.
- Exhausted battery is to be removed from the toy.
- Do not dispose of battery in fire as it may leak or explode.

**FCC COMPLIANCE**

NOTE: This equipment has been tested and found to comply with the limits for a Class B digital device, pursuant to Part 15 of the FCC Rules. These limits are designed to provide reasonable protection against harmful interference in a residential installation. This equipment generates, uses and can radiate radio frequency energy and, if not installed and used in accordance with the instructions, may cause harmful interference to radio communications. However, there is no guarantee that interference will not occur in a particular installation. If this equipment does cause harmful interference to radio or television reception, which can be determined by turning the equipment off and on, the user is encouraged to try to correct the interference by one or more of the following measures:

- Reorient or relocate the receiving antenna.
- Increase the separation between the equipment and receiver.
- Connect the equipment into an outlet on a circuit different from that to which the receiver is connected.
- Consult the dealer or an experienced radio/TV technician for help.

This device complies with Part 15 of the FCC Rules. Operation is subject to the following two conditions: (1) This device may not cause harmful interference, and (2) this device must accept any interference received, including interference that may cause undesired operation.

Caution: Modifications not authorized by the manufacturer may void users authority to operate this device.

CAN ICES-3 (B)/NMB-3(B).



'Let's care for the environment!'

The wheelie bin symbol indicates that the product must not be disposed of with other household waste. Please use designated collection points or recycling facilities when disposing of the item. disposing of the item. Do not treat old batteries as household waste. Take them to a designated recycling facility.

**⚠ WARNINGS**

**⚠ WARNING:**

**ADULT ASSEMBLY REQUIRED.**

Read entire instructions carefully before assembling this product.

**⚠ WARNING: ASSEMBLY**

- Keep these instructions for future reference.
- Prior to assembly, this package contains small parts: hardware which is a choking hazard and may contain sharp edges and sharp points. Keep product away from children until assembled.
- Ensure working area is free of danger, always dispose packaging material in such a way that it may not cause any harm. Plastic bags can be dangerous. To avoid suffocation keep plastic bags away from babies and children.
- To prevent serious injury, children must not use the equipment until completely assembled.
- This product is intended for outdoor family use only.

**⚠ WARNING:** Not to be used by children under 3 years due to size limitation. Maximum child's weight: 65 lbs. (29.48kg).

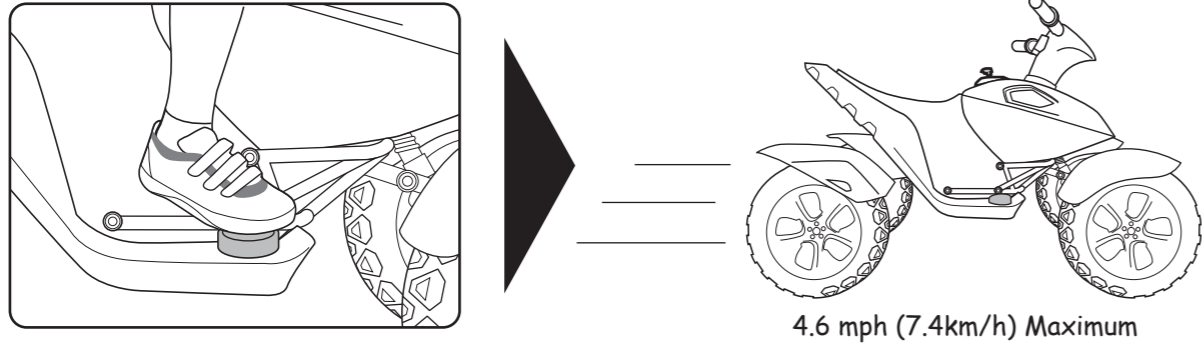
**IMPORTANT - MUST READ CAREFULLY**

**⚠ WARNING: USE**

TO AVOID SERIOUS INJURY: Continuous adult supervision is required while this vehicle is in operation.

- It is recommended that the rider always wears a properly fitted helmet that complies with U. S. Consumer Product Safety Commission (CPSC) standard 16 CFR 1203 when riding the vehicle.
- Do not operate the vehicle in mud or snow.
- To reduce the risk of injury, adult supervision is required. Never use in roadways, near motor vehicles, on or near steep inclines or steps, swimming pools or other bodies of water; always wear shoes, and never allow more than 1 rider.
- Never ride near areas with traffic or on sloped driveways.
- Never allow children to ride at night.
- Instruct children on proper use of this product and to sit properly when driving. DO NOT RIDE VEHICLE STANDING UP.
- Keep hair, fingers, loose clothing and other items away from rotating wheels of the unit.
- Ride-on toys should be used with caution since skill is required to avoid falls or collisions which may cause injury to the user.
- Safeguard product against rolling away when parked.
- The vehicle is intended for use on flat, level surfaces.
- DO NOT ride the vehicle indoors. It is intended for outside use ONLY. Interior floors can be damaged by riding the vehicle indoors. Little Tikes® is not responsible for damage to indoor flooring.
- DO NOT tow objects behind the vehicle or overload the vehicle as doing so will cause damage.

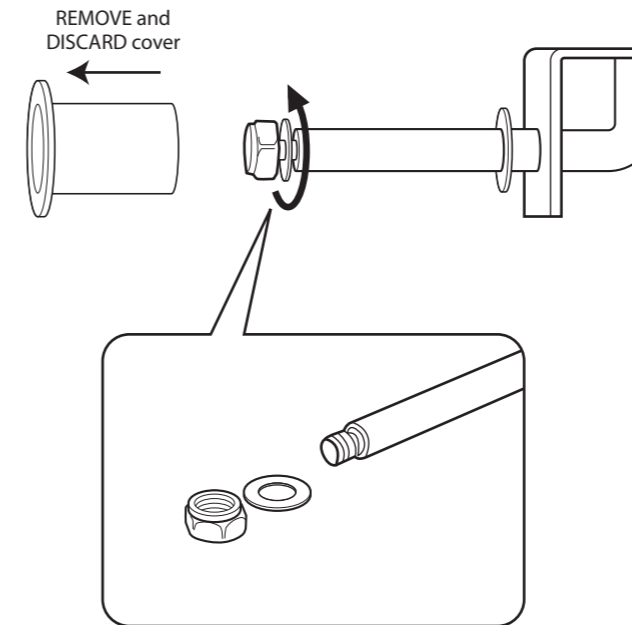
23



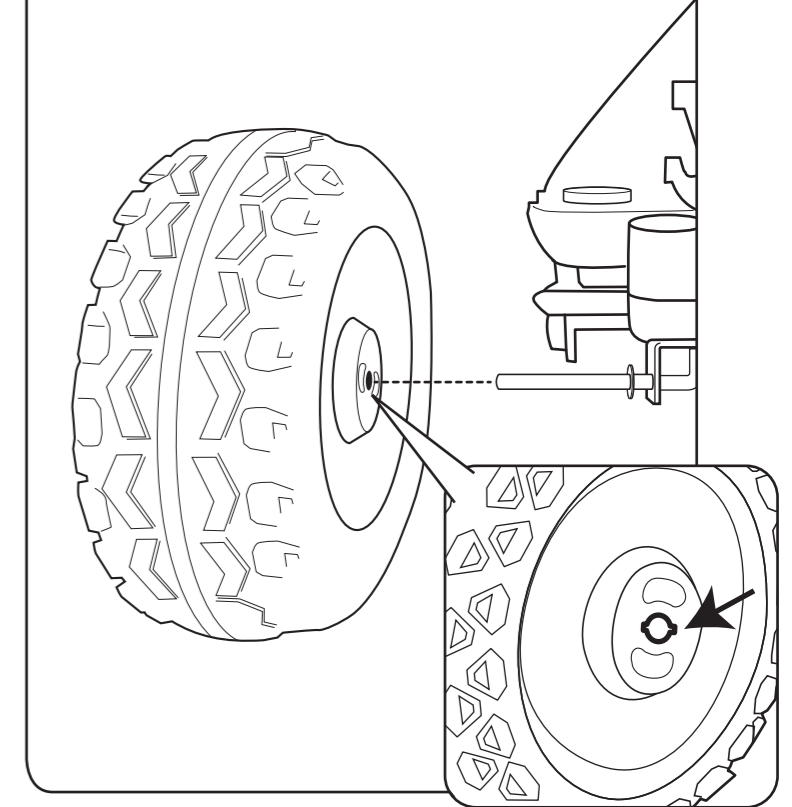
**IMPORTANT NOTE:** Do not suddenly move the shifter to reverse when running forward to avoid falls or collisions.

## Assembling Front Wheels

1

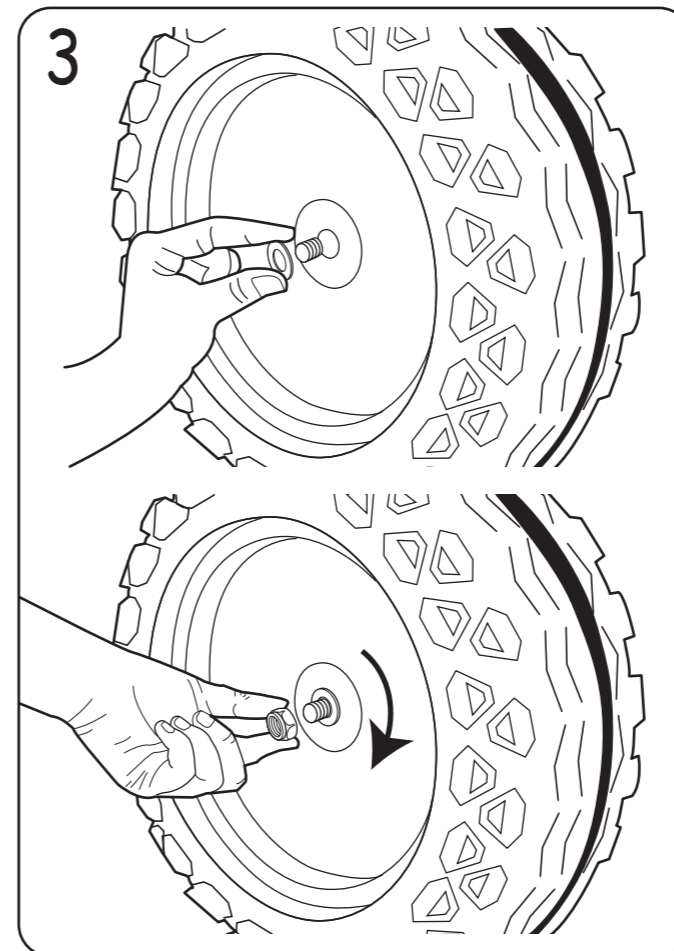


2

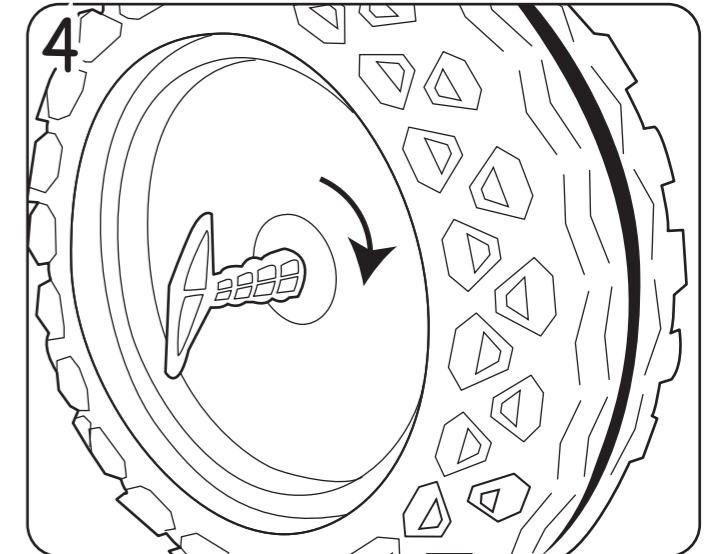


**IMPORTANT NOTE:** Spacers must remain in the axel openings on all four tires prior to installation.

3



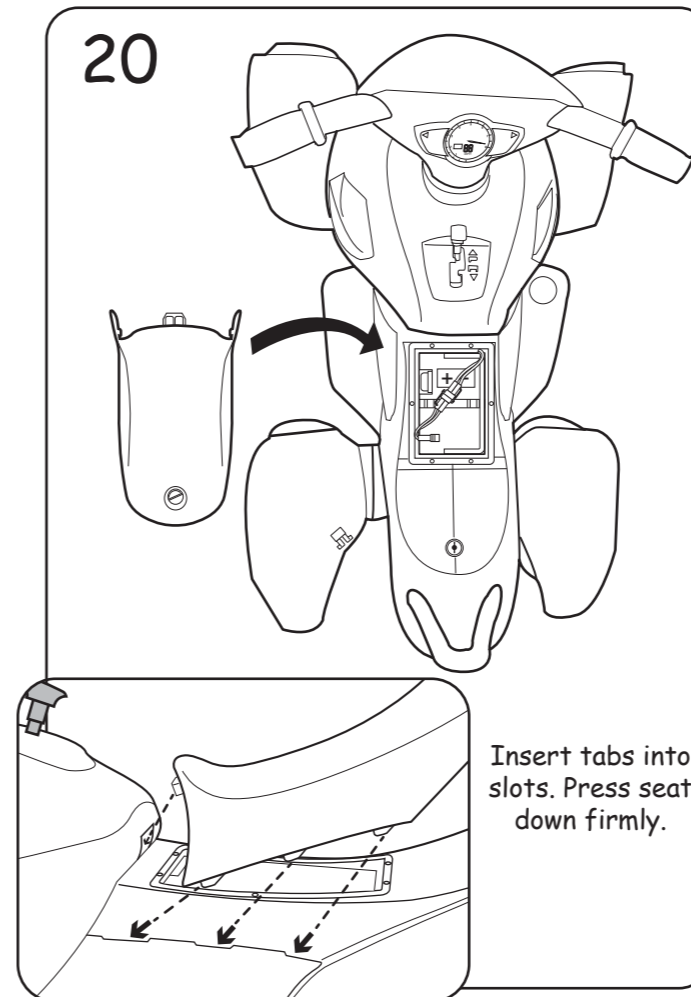
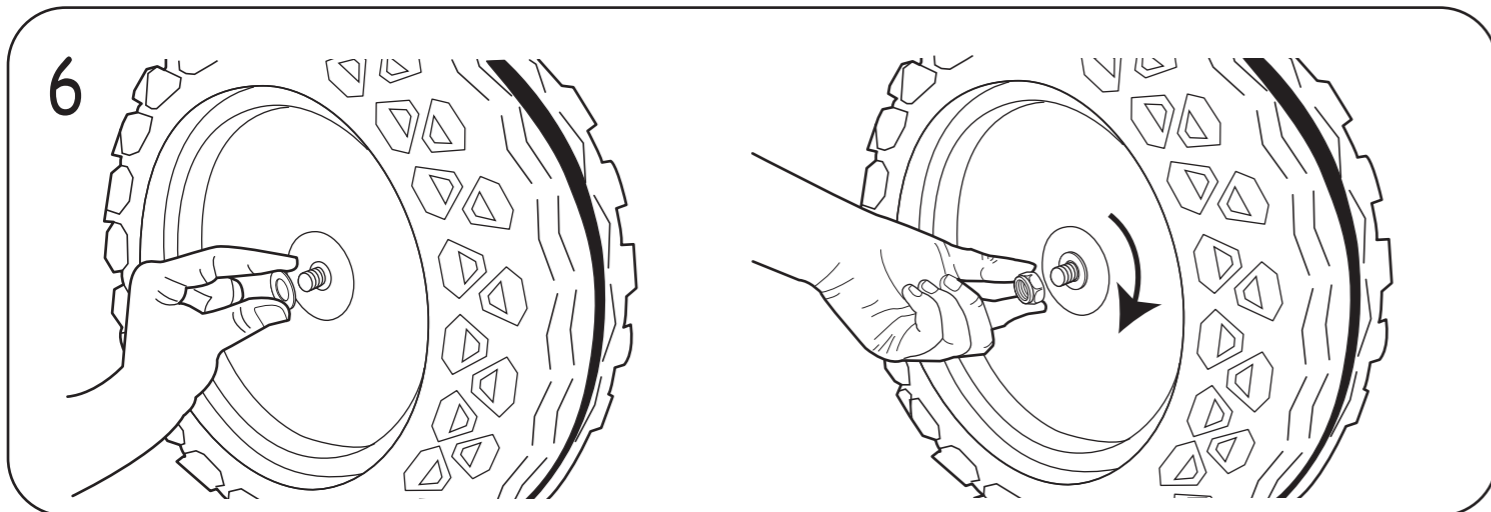
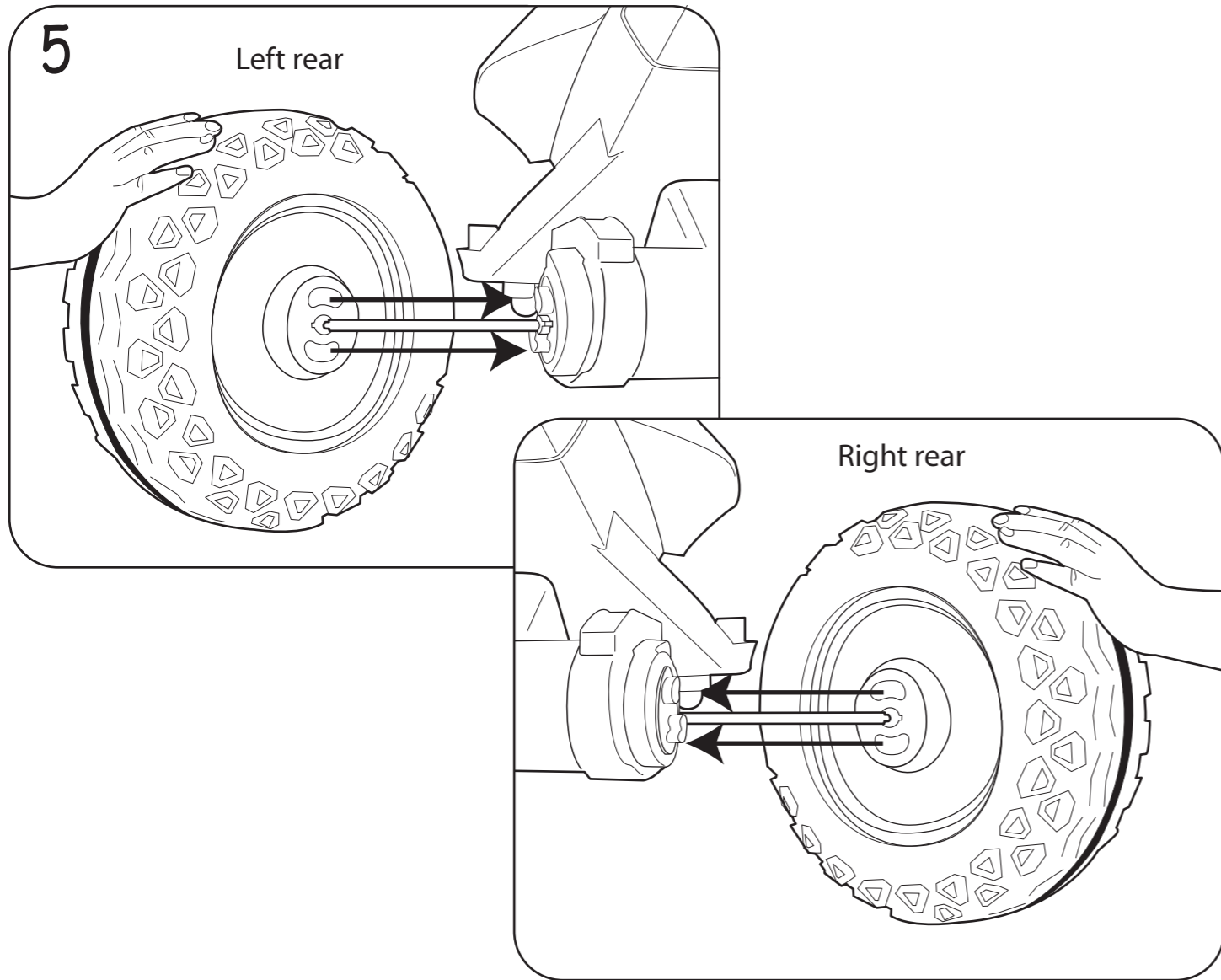
4



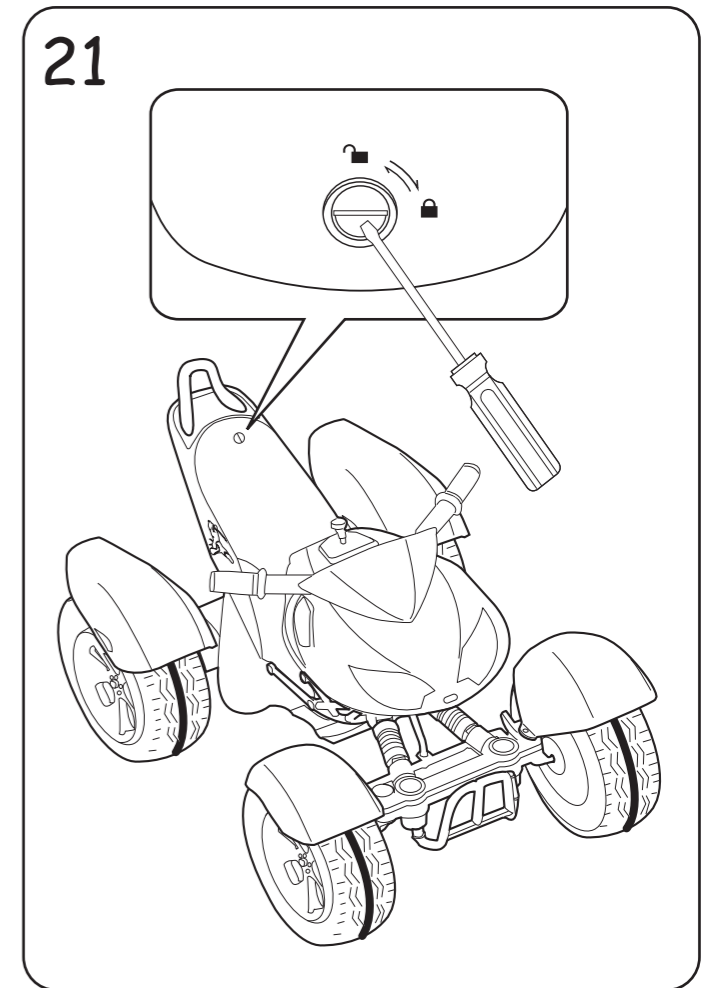
### TROUBLESHOOTING GUIDE

| Problem   | Possible Solutions  |
|---|---|
| The vehicle does not move.                            | <ul style="list-style-type: none"> <li>• Charge the battery. (Charge battery after each use.)</li> <li>• Check all electrical connections.</li> <li>• The thermal fuse may have been activated due to excessive weight or rough driving conditions. Wait at least 30 seconds, and the vehicle will reset itself.</li> </ul>   |
| The vehicle begins to run slow.                       | <ul style="list-style-type: none"> <li>• Charge the battery. (Charge battery after each use.)</li> <li>• Only allow one rider at a time. DO NOT exceed child weight limit: 65 lbs (29.48 kg).</li> <li>• Drive on level ground.</li> <li>• Battery may be old or not accepting a full charge. The battery will last from 1 to 3 years depending on care, use and environment.</li> <li>• Contact Customer Service for replacement battery information.</li> </ul> |
| The vehicle runs erratically.                         | <ul style="list-style-type: none"> <li>• There may be a problem with the thermal fuse, or you may have a damaged battery. Contact Customer Service.</li> </ul>  |
| The charger feels warm when in use.                   | <ul style="list-style-type: none"> <li>• This is normal.</li> </ul>   |
| The gears are very loud and/or make a grinding noise. | <ul style="list-style-type: none"> <li>• The gears may be broken. Contact Customer Service.</li> </ul>  |

# Assembling Rear Wheels



Insert tabs into slots. Press seat down firmly.



### 22 BEGINNING RIDER - LOW SPEED

|  |                   |  |                   |
|--|-------------------|--|-------------------|
|  |                   |  |                   |
|  | 2.3 mph (3.7km/h) |  | 2.3 mph (3.7km/h) |

---

### ADVANCED RIDER - HIGH SPEED

|  |  |  |                   |
|--|--|--|-------------------|
|  | Remove Shift Lock Screw<br>Retain for future use |  |                   |
|  |  |  | 4.6 mph (7.4km/h) |

