



# Dirt Diggers™ Front Loader

Item no.: 619687

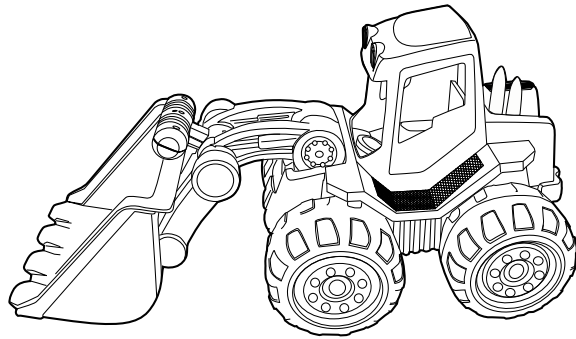
Ages 2+ years  
Adult supervision recommended

## INTRODUCTION

Get ready to move some earth with the Little Tikes® Dirt Diggers™ Front Loader! Scoop up sand and dirt with the Bulldozer's giant scoop or detach it and use it by itself as a shovel!

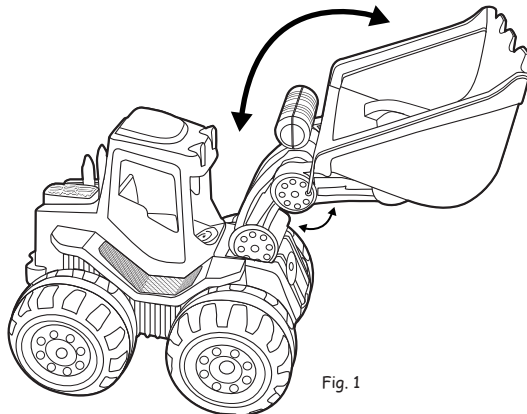
## CONTENTS

- 1 Little Tikes® Dirt Diggers Front Loader with Detachable Shovel

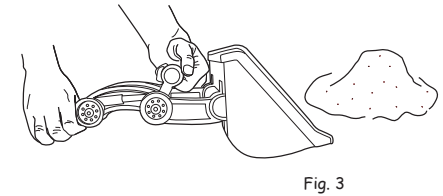
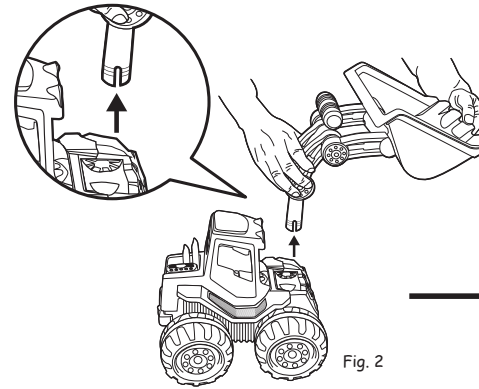


## QUICK START

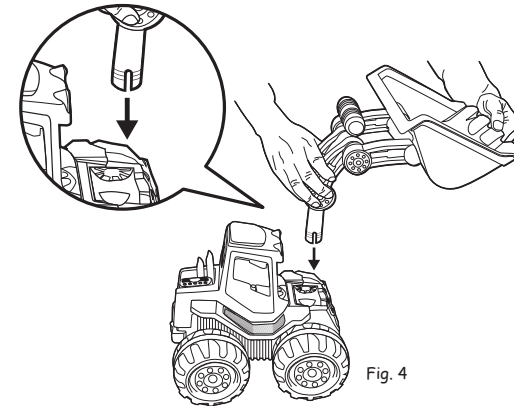
1. Roll the Dirt Digger Front Loader wherever you want to dig.  
NOTE: Remember to stay safe! Dig in sand or soft dirt where there are no large rocks, broken glass, or other harmful things.  
NOTE: Make sure to only dig with an adult's permission.
2. Grab the handle and push the shovel through the dirt to gather up dirt (Fig. 1).



3. If you want to really dig, grasp the handle of the shovel and pull it away from the Front Loader (Fig. 2) to use it like a regular shovel (Fig. 3)!



4. Don't forget to put the shovel back into the Front Loader when you are done digging! Place the handle of the shovel back into the slot in the front of the Front Loader as shown in Figure 4:



Please keep this manual as it contains important information.



© The Little Tikes Company, an MGA Entertainment company. LITTLE TIKES® is a trademark of Little Tikes in the U.S. and other countries. All logos, names, characters, likenesses, images, slogans, and packaging appearance are the property of Little Tikes. Little Tikes Consumer Service  
2180 Barlow Road  
Hudson, Ohio 44236 U.S.A.  
1-800-321-0183  
Printed in China



0310-0-E/INT

[www.littletikes.com](http://www.littletikes.com)