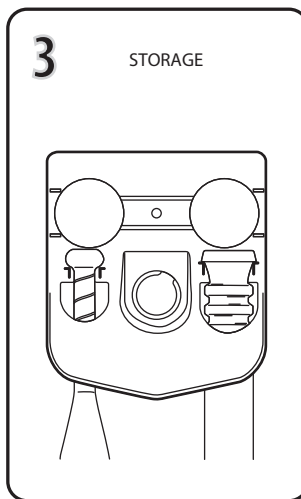
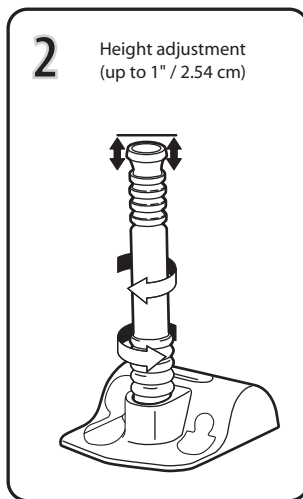
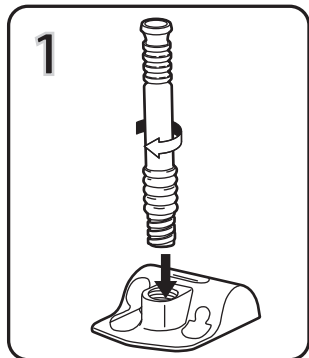
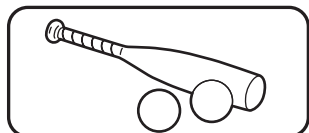


**little tikes****TotSports™ T-Ball Set**

AGES 1½+

SKUs: 633256P, 611957P1, 612305, 633539MP

KEEP THESE INSTRUCTIONS FOR FUTURE REFERENCE

**ADULT ASSEMBLY REQUIRED****⚠ WARNING:**

- Adult supervision required.
- Only one batter at a time.
- Do not place hands, fingers or face near or on ball tee.
- Do not put any other foreign objects other than balls provided on tee.
- This product intended for outdoor use only.
- Recommend or encourage use of a batting helmet to promote safety.
- Never place T-ball set on a hard surface such as concrete, asphalt, wood or other hard surfaces. Falls onto hard surface could result in head or serious injuries.
- Never place or use T-ball set in or near street, driveways, sidewalks, alleys, patios, hills or garage.
- Never place or use T-ball set near playground equipment, trees, low branches, wires, clothesline, fences, pools and parked cars.
- Never hit ball at other children, people, animals or moving bicycles.
- Do not use product when raining or when ground is wet.
- Never swing bat at others or at other objects.

**LIMITED WARRANTY**

The Little Tikes Company makes fun, high quality toys. We warrant to the original purchaser that this product is free of defects in materials or workmanship for one year \* from the date of purchase (dated sales receipt is required for proof of purchase). At the sole election of The Little Tikes Company, the only remedies available under this warranty will be the replacement of the defective part or replacement of the product. This warranty is valid only if the product has been assembled and maintained per the instructions. This warranty does not cover abuse, accident, cosmetic issues such as fading or scratches from normal wear, or any other cause not arising from defects in material and workmanship. \*The warranty period is three (3) months for daycare or commercial purchasers.

U.S.A and Canada: For warranty service or replacement part information, please visit our website at [www.littletikes.com](http://www.littletikes.com), call 1-800-321-0183 or write to: Consumer Service, The Little Tikes Company, 2180 Barlow Road, Hudson OH 44236, U.S.A. Some replacement parts may be available for purchase after warranty expires—contact us for details.

Outside U.S.A and Canada: Contact place of purchase for warranty service. This warranty gives you specific legal rights, and you may also have other rights, which vary from country/state to country/state. Some countries/states do not allow the exclusion or limitation of incidental or consequential damages, so the above limitation or exclusion may not apply to you.

Please keep this manual as it contains important information.



0618-0-E/INT

© The Little Tikes Company, an MGA Entertainment company. LITTLE TIKES® is a trademark of Little Tikes in the U.S. and other countries. All logos, names, characters, likenesses, images, slogans, and packaging appearance are the property of Little Tikes. Little Tikes Consumer Service 2180 Barlow Road Hudson, Ohio 44236 U.S.A. 1-800-321-0183 Printed in China

MGA Entertainment UK Ltd  
50 Presley Way  
Crownhill  
Milton Keynes  
MK8 OES  
Bucks, UK  
0800 521 558

[www.littletikes.com](http://www.littletikes.com)  
[www.littletikes.co.uk](http://www.littletikes.co.uk)

**little tikes**

Visit our website at [www.littletikes.com](http://www.littletikes.com) to register your product and to enter our sweepstakes. (No purchase necessary)